

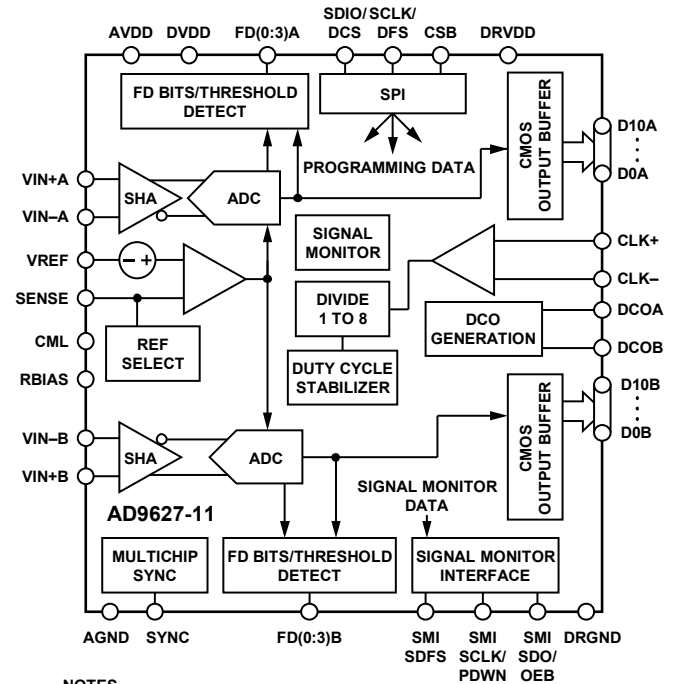
FEATURES

SNR = 65.8 dBc (66.8 dBFS) to 70 MHz @ 105 MSPS
SFDR = 85 dBc to 70 MHz @ 105 MSPS
Low power: 600 mW @ 105 MSPS
SNR = 65.7 dBc (66.7 dBFS) to 70 MHz @ 150 MSPS
SFDR = 84 dBc to 70 MHz @ 150 MSPS
Low power: 820 mW @ 150 MSPS
1.8 V analog supply operation
1.8 V to 3.3V CMOS output supply or 1.8 V LVDS
output supply
Integer 1-to-8 input clock divider
IF sampling frequencies to 450 MHz
Internal ADC voltage reference
Integrated ADC sample-and-hold inputs
Flexible analog input range: 1 V p-p to 2 V p-p
Differential analog inputs with 650 MHz bandwidth
ADC clock duty cycle stabilizer
95 dB channel isolation/crosstalk
Serial port control
User-configurable, built-in self-test (BIST) capability
Energy-saving power-down modes
Integrated receive features
Fast detect/threshold bits
Composite signal monitor

APPLICATIONS

Communications
Diversity radio systems
Multimode digital receivers (3G)
GSM, EDGE, WCDMA, CDMA2000,
WiMAX, TD-SCDMA
I/Q demodulation systems
Smart antenna systems
General-purpose software radios
Broadband data applications

FUNCTIONAL BLOCK DIAGRAM



NOTES
 1. PIN NAMES ARE FOR THE CMOS PIN CONFIGURATION ONLY;
 SEE FIGURE 7 FOR LVDS PIN NAMES.

Figure 1.

PRODUCT HIGHLIGHTS

1. Integrated dual, 11-bit, 105 MSPS/150 MSPS ADC.
2. Fast overrange detect and signal monitor with serial output.
3. Signal monitor block with dedicated serial output mode.
4. Proprietary differential input that maintains excellent SNR performance for input frequencies up to 450 MHz.
5. Operation from a single 1.8 V supply and a separate digital output driver supply to accommodate 1.8 V to 3.3 V logic families.
6. Standard serial port interface (SPI) that supports various product features and functions, such as data formatting (offset binary, twos complement, or gray coding), enabling the clock DCS, power-down, test modes, and voltage reference mode.
7. Pin compatibility with the AD9640, AD9627, and AD9600 for a simple migration from 11 bits to 14 bits, 12 bits, or 10 bits.

Rev. 0

Information furnished by Analog Devices is believed to be accurate and reliable. However, no responsibility is assumed by Analog Devices for its use, nor for any infringements of patents or other rights of third parties that may result from its use. Specifications subject to change without notice. No license is granted by implication or otherwise under any patent or patent rights of Analog Devices. Trademarks and registered trademarks are the property of their respective owners.

TABLE OF CONTENTS

| | | | |
|--|----|--|----|
| Features | 1 | Peak Detector Mode..... | 32 |
| Applications..... | 1 | RMS/MS Magnitude Mode..... | 32 |
| Functional Block Diagram | 1 | Threshold Crossing Mode..... | 33 |
| Product Highlights | 1 | Additional Control Bits | 33 |
| Revision History | 2 | DC Correction..... | 33 |
| General Description | 3 | Signal Monitor SPORT Output | 34 |
| Specifications..... | 4 | Built-In Self-Test (BIST) and Output Test | 35 |
| ADC DC Specifications—AD9627BCPZ11-105/ AD9627BCPZ11-150 | 4 | Built-In Self-Test (BIST)..... | 35 |
| ADC AC Specifications—AD9627BCPZ11-105/ AD9627BCPZ11-150 | 5 | Output Test Modes..... | 35 |
| Digital Specifications | 6 | Channel/Chip Synchronization..... | 36 |
| Switching Specifications—AD9627BCPZ11-105/ AD9627BCPZ11-150 | 8 | Serial Port Interface (SPI)..... | 37 |
| Timing Specifications | 9 | Configuration Using the SPI..... | 37 |
| Absolute Maximum Ratings..... | 11 | Hardware Interface..... | 37 |
| Thermal Characteristics | 11 | Configuration Without the SPI | 38 |
| ESD Caution..... | 11 | SPI Accessible Features..... | 38 |
| Pin Configurations and Function Descriptions | 12 | Memory Map | 39 |
| Equivalent Circuits | 16 | Reading the Memory Map Register Table..... | 39 |
| Typical Performance Characteristics | 17 | Memory Map Register Table..... | 40 |
| Theory of Operation | 22 | Memory Map Register Descriptions..... | 43 |
| ADC Architecture | 22 | Applications Information | 46 |
| Analog Input Considerations..... | 22 | Design Guidelines | 46 |
| Voltage Reference | 24 | Evaluation Board | 47 |
| Clock Input Considerations | 25 | Power Supplies..... | 47 |
| Power Dissipation and Standby Mode..... | 27 | Input Signals..... | 47 |
| Digital Outputs | 27 | Output Signals | 47 |
| Timing..... | 28 | Default Operation and Jumper Selection Settings..... | 48 |
| ADC Overrange and Gain Control..... | 29 | Alternative Clock Configurations..... | 48 |
| Fast Detect Overview..... | 29 | Alternative Analog Input Drive Configuration..... | 49 |
| ADC Fast Magnitude | 29 | Schematics..... | 50 |
| ADC Overrange (OR)..... | 30 | Evaluation Board Layouts | 60 |
| Gain Switching..... | 30 | Bill of Materials..... | 68 |
| Signal Monitor | 32 | Outline Dimensions | 70 |
| | | Ordering Guide | 70 |

REVISION HISTORY

10/07—Revision 0: Initial Version

GENERAL DESCRIPTION

The AD9627-11 is a dual, 11-bit, 105 MSPS/150 MSPS analog-to-digital converter (ADC). The AD9627-11 is designed to support communications applications where low cost, small size, and versatility are desired.

The dual ADC core features a multistage, differential pipelined architecture with integrated output error correction logic. Each ADC features wide bandwidth differential sample-and-hold analog input amplifiers supporting a variety of user-selectable input ranges. An integrated voltage reference eases design considerations. A duty cycle stabilizer is provided to compensate for variations in the ADC clock duty cycle, allowing the converters to maintain excellent performance.

The AD9627-11 has several functions that simplify the automatic gain control (AGC) function in the system receiver. The fast detect feature allows fast overrange detection by outputting four bits of input level information with very short latency.

In addition, the programmable threshold detector allows monitoring of the incoming signal power using the four fast detect bits of the ADC with very low latency. If the input signal level exceeds

the programmable threshold, the coarse upper threshold indicator goes high. Because this threshold indicator has very low latency, the user can quickly turn down the system gain to avoid an over-range condition.

The second AGC-related function is the signal monitor. This block allows the user to monitor the composite magnitude of the incoming signal, which aids in setting the gain to optimize the dynamic range of the overall system.

The ADC output data can be routed directly to the two external 11-bit output ports. These outputs can be set from 1.8 V to 3.3 V CMOS or 1.8 V LVDS.

Flexible power-down options allow significant power savings, when desired.

Programming for setup and control is accomplished using a 3-bit SPI-compatible serial interface.

The AD9627-11 is available in a 64-lead LFCSP and is specified over the industrial temperature range of -40°C to $+85^{\circ}\text{C}$.

AD9627-11

SPECIFICATIONS

ADC DC SPECIFICATIONS—AD9627BCPZ11-105/AD9627BCPZ11-150

AVDD = 1.8 V, DVDD = 1.8 V, DRVDD = 3.3 V, maximum sample rate, VIN = –1.0 dBFS differential input, 1.0 V internal reference, DCS enabled, fast detect output pins disabled, and signal monitor disabled, unless otherwise noted.

Table 1.

| Parameter | Temperature | AD9627BCPZ11-105 | | | AD9627BCPZ11-150 | | | Unit |
|--|-------------|------------------|------|-------|------------------|------|------|---------|
| | | Min | Typ | Max | Min | Typ | Max | |
| RESOLUTION | Full | 11 | | | 11 | | | Bits |
| ACCURACY | | Guaranteed | | | Guaranteed | | | |
| No Missing Codes | Full | | | | | | | |
| Offset Error | Full | | ±0.3 | ±0.7 | | ±0.2 | ±0.6 | % FSR |
| Gain Error | Full | –3.6 | –2.2 | –1.0 | –4.3 | –3.0 | –1.7 | % FSR |
| Differential Nonlinearity (DNL) ¹ | Full | | ±0.3 | | | ±0.4 | | LSB |
| | 25°C | | ±0.1 | | | ±0.1 | | LSB |
| Integral Nonlinearity (INL) ¹ | Full | | ±0.5 | | | ±0.7 | | LSB |
| | 25°C | | ±0.2 | | | ±0.3 | | LSB |
| MATCHING CHARACTERISTIC | | | | | | | | |
| Offset Error | 25°C | | ±0.3 | ±0.7 | | ±0.2 | ±0.7 | % FSR |
| Gain Error | 25°C | | ±0.2 | ±0.75 | | ±0.2 | ±0.7 | % FSR |
| TEMPERATURE DRIFT | | | | | | | | |
| Offset Error | Full | | ±15 | | | ±15 | | ppm/°C |
| Gain Error | Full | | ±95 | | | ±95 | | ppm/°C |
| INTERNAL VOLTAGE REFERENCE | | | | | | | | |
| Output Voltage Error (1 V Mode) | Full | | ±5 | ±16 | | ±5 | ±16 | mV |
| Load Regulation @ 1.0 mA | 25°C | | 7 | | | 7 | | mV |
| INPUT REFERRED NOISE | | | | | | | | |
| VREF = 1.0 V | 25°C | | 0.15 | | | 0.15 | | LSB rms |
| ANALOG INPUT | | | | | | | | |
| Input Span, VREF = 1.0 V | Full | | 2 | | | 2 | | V p-p |
| Input Capacitance ² | Full | | 8 | | | 8 | | pF |
| VREF INPUT RESISTANCE | Full | | 6 | | | 6 | | kΩ |
| POWER SUPPLIES | | | | | | | | |
| Supply Voltage | | | | | | | | |
| AVDD, DVDD | Full | 1.7 | 1.8 | 1.9 | 1.7 | 1.8 | 1.9 | V |
| DRVDD (CMOS Mode) | Full | 1.7 | 3.3 | 3.6 | 1.7 | 3.3 | 3.6 | V |
| DRVDD (LVDS Mode) | Full | 1.7 | 1.8 | 1.9 | 1.7 | 1.8 | 1.9 | V |
| Supply Current | | | | | | | | |
| I _{AVDD} ^{1,3} | Full | | 310 | | | 419 | | mA |
| I _{DVDD} ^{1,3} | Full | | 34 | 365 | | 50 | 495 | mA |
| I _{DRVDD} ¹ (3.3 V CMOS) | Full | | 34 | | | 42 | | mA |
| I _{DRVDD} ¹ (1.8 V CMOS) | Full | | 16 | | | 29 | | mA |
| I _{DRVDD} ¹ (1.8 V LVDS) | Full | | 44 | | | 46 | | mA |
| POWER CONSUMPTION | | | | | | | | |
| DC Input | Full | | 600 | 650 | | 820 | 890 | mW |
| Sine Wave Input ¹ (DRVDD = 1.8 V) | Full | | 645 | | | 895 | | mW |
| Sine Wave Input ¹ (DRVDD = 3.3 V) | Full | | 730 | | | 1000 | | mW |
| Standby Power ⁴ | Full | | 68 | | | 77 | | mW |
| Power-Down Power | Full | | 2.5 | 6 | | 2.5 | 6 | mW |

¹ Measured with a low input frequency, full-scale sine wave, with approximately 5 pF loading on each output bit.

² Input capacitance refers to the effective capacitance between one differential input pin and AGND. See Figure 8 for the equivalent analog input structure.

³ The maximum limit applies to the combination of I_{AVDD} and I_{DVDD} currents.

⁴ Standby power is measured with a dc input and with the CLK pins inactive (set to AVDD or AGND).

ADC AC SPECIFICATIONS—AD9627BCPZ11-105/AD9627BCPZ11-150

AVDD = 1.8 V, DVDD = 1.8 V, DRVDD = 3.3 V, maximum sample rate, VIN = -1.0 dBFS differential input, 1.0 V internal reference, DCS enabled, fast detect output pins disabled, and signal monitor disabled, unless otherwise noted.

Table 2.

| Parameter ¹ | Temperature | AD9627BCPZ11-105 | | | AD9627BCPZ11-150 | | | Unit |
|---|-------------|------------------|------|-----|------------------|-------|-----|------|
| | | Min | Typ | Max | Min | Typ | Max | |
| SIGNAL-TO-NOISE RATIO (SNR) | | | | | | | | |
| $f_{IN} = 2.3$ MHz | 25°C | | 65.9 | | | 65.8 | | dB |
| $f_{IN} = 70$ MHz | 25°C | | 65.8 | | | 65.7 | | dB |
| | Full | 65.3 | | | 65.0 | | | dB |
| $f_{IN} = 140$ MHz | 25°C | | 65.6 | | | 65.5 | | dB |
| $f_{IN} = 220$ MHz | 25°C | | 65.2 | | | 65.2 | | dB |
| SIGNAL-TO-NOISE AND DISTORTION (SINAD) | | | | | | | | |
| $f_{IN} = 2.3$ MHz | 25°C | | 65.9 | | | 65.7 | | dB |
| $f_{IN} = 70$ MHz | 25°C | | 65.7 | | | 65.6 | | dB |
| | Full | 64.9 | | | 64.4 | | | dB |
| $f_{IN} = 140$ MHz | 25°C | | 65.5 | | | 65.4 | | dB |
| $f_{IN} = 220$ MHz | 25°C | | 65.1 | | | 65.1 | | dB |
| EFFECTIVE NUMBER OF BITS (ENOB) | | | | | | | | |
| $f_{IN} = 2.3$ MHz | 25°C | | 10.8 | | | 10.8 | | Bits |
| $f_{IN} = 70$ MHz | 25°C | | 10.8 | | | 10.8 | | Bits |
| $f_{IN} = 140$ MHz | 25°C | | 10.8 | | | 10.7 | | Bits |
| $f_{IN} = 220$ MHz | 25°C | | 10.7 | | | 10.7 | | Bits |
| WORST SECOND OR THIRD HARMONIC | | | | | | | | |
| $f_{IN} = 2.3$ MHz | 25°C | | -87 | | | -86.5 | | dBc |
| $f_{IN} = 70$ MHz | 25°C | | -85 | | | -84 | | dBc |
| | Full | | | -73 | | | -72 | dBc |
| $f_{IN} = 140$ MHz | 25°C | | -84 | | | -83.5 | | dBc |
| $f_{IN} = 220$ MHz | 25°C | | -83 | | | -77 | | dBc |
| SPURIOUS-FREE DYNAMIC RANGE (SFDR) | | | | | | | | |
| $f_{IN} = 2.3$ MHz | 25°C | | 87 | | | 86.5 | | dBc |
| $f_{IN} = 70$ MHz | 25°C | | 85 | | | 84 | | dBc |
| | Full | 73 | | | 72 | | | dBc |
| $f_{IN} = 140$ MHz | 25°C | | 84 | | | 83.5 | | dBc |
| $f_{IN} = 220$ MHz | 25°C | | 83 | | | 77 | | dBc |
| WORST OTHER HARMONIC OR SPUR | | | | | | | | |
| $f_{IN} = 2.3$ MHz | 25°C | | -92 | | | -92 | | dBc |
| $f_{IN} = 70$ MHz | 25°C | | -88 | | | -88 | | dBc |
| | Full | | | -82 | | | -80 | dBc |
| $f_{IN} = 140$ MHz | 25°C | | -86 | | | -86 | | dBc |
| $f_{IN} = 220$ MHz | 25°C | | -86 | | | -86 | | dBc |
| TWO-TONE SFDR | | | | | | | | |
| $f_{IN} = 29.1$ MHz, 32.1 MHz (-7 dBFS) | 25°C | | 85 | | | 85 | | dBc |
| $f_{IN} = 169.1$ MHz, 172.1 MHz (-7 dBFS) | 25°C | | 82 | | | 82 | | dBc |
| CROSSTALK ² | 25°C | | -95 | | | -95 | | dB |
| ANALOG INPUT BANDWIDTH | 25°C | | 650 | | | 650 | | MHz |

¹ See Application Note AN-835, *Understanding High Speed ADC Testing and Evaluation*, for a complete set of definitions.

² Crosstalk is measured at 100 MHz with -1 dBFS on one channel and with no input on the alternate channel.

AD9627-11

DIGITAL SPECIFICATIONS

AVDD = 1.8 V, DVDD = 1.8 V, DRVDD = 3.3 V, maximum sample rate, VIN = -1.0 dBFS differential input, 1.0 V internal reference, and DCS enabled, unless otherwise noted.

Table 3.

| Parameter | Temperature | Min | Typ | Max | Unit |
|--|-------------|------------------|-----|------------|-------|
| DIFFERENTIAL CLOCK INPUTS (CLK+, CLK-) | | | | | |
| Logic Compliance | | CMOS/LVDS/LVPECL | | | |
| Internal Common-Mode Bias | Full | | 1.2 | | V |
| Differential Input Voltage | Full | 0.2 | | 6 | V p-p |
| Input Voltage Range | Full | GND - 0.3 | | AVDD + 1.6 | V |
| Input Common-Mode Range | Full | 1.1 | | AVDD | V |
| High Level Input Voltage | Full | 1.2 | | 3.6 | V |
| Low Level Input Voltage | Full | 0 | | 0.8 | V |
| High Level Input Current | Full | -10 | | +10 | μA |
| Low Level Input Current | Full | -10 | | +10 | μA |
| Input Capacitance | Full | | 4 | | pF |
| Input Resistance | Full | 8 | 10 | 12 | kΩ |
| SYNC INPUT | | | | | |
| Logic Compliance | | CMOS | | | |
| Internal Bias | Full | | 1.2 | | V |
| Input Voltage Range | Full | GND - 0.3 | | AVDD + 1.6 | V |
| High Level Input Voltage | Full | 1.2 | | 3.6 | V |
| Low Level Input Voltage | Full | 0 | | 0.8 | V |
| High Level Input Current | Full | -10 | | +10 | μA |
| Low Level Input Current | Full | -10 | | +10 | μA |
| Input Capacitance | Full | | 4 | | pF |
| Input Resistance | Full | 8 | 10 | 12 | kΩ |
| LOGIC INPUT (CSB) ¹ | | | | | |
| High Level Input Voltage | Full | 1.22 | | 3.6 | V |
| Low Level Input Voltage | Full | 0 | | 0.6 | V |
| High Level Input Current | Full | -10 | | +10 | μA |
| Low Level Input Current | Full | 40 | | 132 | μA |
| Input Resistance | Full | | 26 | | kΩ |
| Input Capacitance | Full | | 2 | | pF |
| LOGIC INPUT (SCLK/DFS) ² | | | | | |
| High Level Input Voltage | Full | 1.22 | | 3.6 | V |
| Low Level Input Voltage | Full | 0 | | 0.6 | V |
| High Level Input Current (VIN = 3.3 V) | Full | -92 | | -135 | μA |
| Low Level Input Current | Full | -10 | | +10 | μA |
| Input Resistance | Full | | 26 | | kΩ |
| Input Capacitance | Full | | 2 | | pF |
| LOGIC INPUTS/OUTPUTS (SDIO/DCS, SMI SDFS) ¹ | | | | | |
| High Level Input Voltage | Full | 1.22 | | 3.6 | V |
| Low Level Input Voltage | Full | 0 | | 0.6 | V |
| High Level Input Current | Full | -10 | | +10 | μA |
| Low Level Input Current | Full | 38 | | 128 | μA |
| Input Resistance | Full | | 26 | | kΩ |
| Input Capacitance | Full | | 5 | | pF |
| LOGIC INPUTS/OUTPUTS (SMI SDO/OEB, SMI SCLK/PDWN) ² | | | | | |
| High Level Input Voltage | Full | 1.22 | | 3.6 | V |
| Low Level Input Voltage | Full | 0 | | 0.6 | V |
| High Level Input Current (VIN = 3.3 V) | Full | -90 | | -134 | μA |
| Low Level Input Current | Full | -10 | | +10 | μA |

| Parameter | Temperature | Min | Typ | Max | Unit |
|--|-------------|------|------|------|------------|
| Input Resistance | Full | | 26 | | k Ω |
| Input Capacitance | Full | | 5 | | pF |
| DIGITAL OUTPUTS | | | | | |
| CMOS Mode—DRVDD = 3.3 V | | | | | |
| High Level Output Voltage | | | | | |
| $I_{OH} = 50 \mu\text{A}$ | Full | 3.29 | | | V |
| $I_{OH} = 0.5 \text{ mA}$ | Full | 3.25 | | | V |
| Low Level Output Voltage | | | | | |
| $I_{OL} = 1.6 \text{ mA}$ | Full | | | 0.2 | V |
| $I_{OL} = 50 \mu\text{A}$ | Full | | | 0.05 | V |
| CMOS Mode—DRVDD = 1.8 V | | | | | |
| High Level Output Voltage | | | | | |
| $I_{OH} = 50 \mu\text{A}$ | Full | 1.79 | | | V |
| $I_{OH} = 0.5 \text{ mA}$ | Full | 1.75 | | | V |
| Low Level Output Voltage | | | | | |
| $I_{OL} = 1.6 \text{ mA}$ | Full | | | 0.2 | V |
| $I_{OL} = 50 \mu\text{A}$ | Full | | | 0.05 | V |
| LVDS Mode—DRVDD = 1.8 V | | | | | |
| Differential Output Voltage (V_{OD}), ANSI Mode | Full | 250 | 350 | 450 | mV |
| Output Offset Voltage (V_{OS}), ANSI Mode | Full | 1.15 | 1.25 | 1.35 | V |
| Differential Output Voltage (V_{OD}), Reduced Swing Mode | Full | 150 | 200 | 280 | mV |
| Output Offset Voltage (V_{OS}), Reduced Swing Mode | Full | 1.15 | 1.25 | 1.35 | V |

¹ Pull up.

² Pull down.

AD9627-11

SWITCHING SPECIFICATIONS—AD9627BCPZ11-105/AD9627BCPZ11-150

AVDD = 1.8 V, DVDD = 1.8 V, DRVDD = 3.3 V, maximum sample rate, VIN = -1.0 dBFS differential input, 1.0 V internal reference, and DCS enabled, unless otherwise noted.

Table 4.

| Parameter | Temperature | AD9627BCPZ11-105 | | | AD9627BCPZ11-150 | | | Unit |
|---|-------------|------------------|---------|------|------------------|---------|------|--------|
| | | Min | Typ | Max | Min | Typ | Max | |
| CLOCK INPUT PARAMETERS | | | | | | | | |
| Input Clock Rate | Full | | | 625 | | | 625 | MHz |
| Conversion Rate | | | | | | | | |
| DCS Enabled ¹ | Full | 20 | | 105 | 20 | | 150 | MSPS |
| DCS Disabled ¹ | Full | 10 | | 105 | 10 | | 150 | MSPS |
| CLK Period—Divide-by-1 Mode (t _{CLK}) | Full | 9.5 | | | 6.66 | | | ns |
| CLK Pulse Width High | | | | | | | | |
| Divide-by-1 Mode, DCS Enabled | Full | 2.85 | 4.75 | 6.65 | 2.0 | 3.33 | 4.66 | ns |
| Divide-by-1 Mode, DCS Disabled | Full | 4.28 | 4.75 | 5.23 | 3.0 | 3.33 | 3.66 | ns |
| Divide-by-2 Mode, DCS Enabled | Full | 1.6 | | | 1.6 | | | ns |
| Divide-by-3 Mode Through Divide-by-8 Mode, DCS Enabled | Full | 0.8 | | | 0.8 | | | ns |
| DATA OUTPUT PARAMETERS (DATA, FD) | | | | | | | | |
| CMOS Mode—DRVDD = 3.3 V | | | | | | | | |
| Data Propagation Delay (t _{PD}) ² | Full | 2.2 | 4.5 | 6.4 | 2.2 | 4.5 | 6.4 | ns |
| DCO Propagation Delay (t _{DCO}) | Full | 3.8 | 5.0 | 6.8 | 3.8 | 5.0 | 6.8 | ns |
| Setup Time (t _s) | Full | | 5.25 | | | 3.83 | | ns |
| Hold Time (t _H) | Full | | 4.25 | | | 2.83 | | ns |
| CMOS Mode—DRVDD = 1.8 V | | | | | | | | |
| Data Propagation Delay (t _{PD}) ² | Full | 2.4 | 5.2 | 6.9 | 2.4 | 5.2 | 6.9 | ns |
| DCO Propagation Delay (t _{DCO}) | Full | 4.0 | 5.6 | 7.3 | 4.0 | 5.6 | 7.3 | ns |
| Setup Time (t _s) | Full | | 5.15 | | | 3.73 | | ns |
| Hold Time (t _H) | Full | | 4.35 | | | 2.93 | | ns |
| LVDS Mode—DRVDD = 1.8 V | | | | | | | | |
| Data Propagation Delay (t _{PD}) ² | Full | 2.0 | 4.8 | 6.3 | 2.0 | 4.8 | 6.3 | ns |
| DCO Propagation Delay (t _{DCO}) | Full | 5.2 | 7.3 | 9.0 | 5.2 | 7.3 | 9.0 | ns |
| CMOS Mode Pipeline Delay (Latency) | Full | | 12 | | | 12 | | Cycles |
| LVDS Mode Pipeline Delay (Latency) Channel A/Channel B | | | 12/12.5 | | | 12/12.5 | | Cycles |
| Aperture Delay (t _A) | Full | | 1.0 | | | 1.0 | | ns |
| Aperture Uncertainty (Jitter, t _J) | Full | | 0.1 | | | 0.1 | | ps rms |
| Wake-Up Time ³ | Full | | 350 | | | 350 | | μs |
| OUT-OF-RANGE RECOVERY TIME | Full | | 2 | | | 3 | | Cycles |

¹ Conversion rate is the clock rate after the divider.

² Output propagation delay is measured from CLK 50% transition to DATA 50% transition, with 5 pF load.

³ Wake-up time is dependent on the value of the decoupling capacitors.

TIMING SPECIFICATIONS

Table 5.

| Parameter | Conditions | Min | Typ | Max | Unit |
|----------------------------------|---|------|------|-----|------|
| SYNC TIMING REQUIREMENTS | | | | | |
| t_{SSYNC} | SYNC to rising edge of CLK setup time | | 0.24 | | ns |
| t_{HSYNC} | SYNC to rising edge of CLK hold time | | 0.40 | | ns |
| SPI TIMING REQUIREMENTS | | | | | |
| t_{DS} | Setup time between the data and the rising edge of SCLK | 2 | | | ns |
| t_{DH} | Hold time between the data and the rising edge of SCLK | 2 | | | ns |
| t_{CLK} | Period of the SCLK | 40 | | | ns |
| t_S | Setup time between CSB and SCLK | 2 | | | ns |
| t_H | Hold time between CSB and SCLK | 2 | | | ns |
| t_{HIGH} | SCLK pulse width high | 10 | | | ns |
| t_{LOW} | SCLK pulse width low | 10 | | | ns |
| t_{EN_SDIO} | Time required for the SDIO pin to switch from an input to an output relative to the SCLK falling edge | 10 | | | ns |
| t_{DIS_SDIO} | Time required for the SDIO pin to switch from an output to an input relative to the SCLK rising edge | 10 | | | ns |
| SPORT TIMING REQUIREMENTS | | | | | |
| t_{CSSCLK} | Delay from rising edge of CLK+ to rising edge of SMI SCLK | 3.2 | 4.5 | 6.2 | ns |
| $t_{SSCLKSDO}$ | Delay from rising edge of SMI SCLK to SMI SDO | -0.4 | 0 | 0.4 | ns |
| $t_{SSCLKSDFS}$ | Delay from rising edge of SMI SCLK to SMI SDFS | -0.4 | 0 | 0.4 | ns |

Timing Diagrams

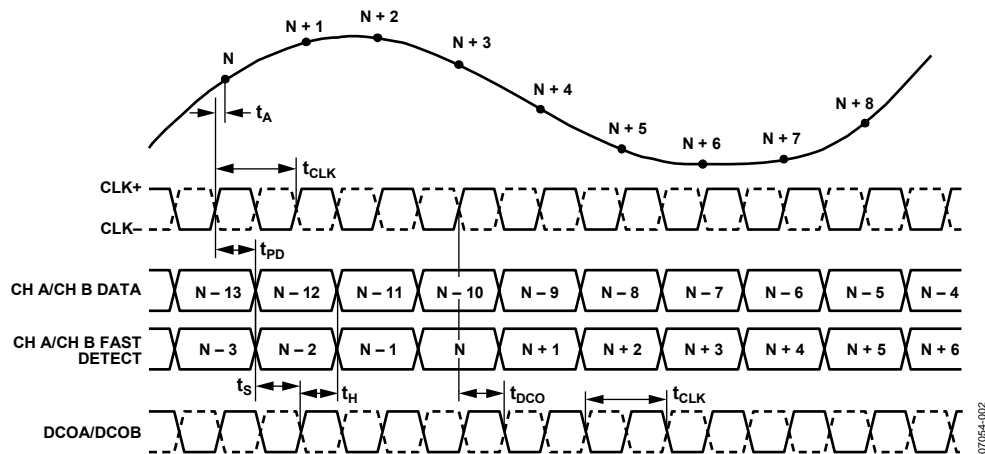


Figure 2. CMOS Output Mode Data and Fast Detect Output Timing (Fast Detect Mode Select Bits = 000)

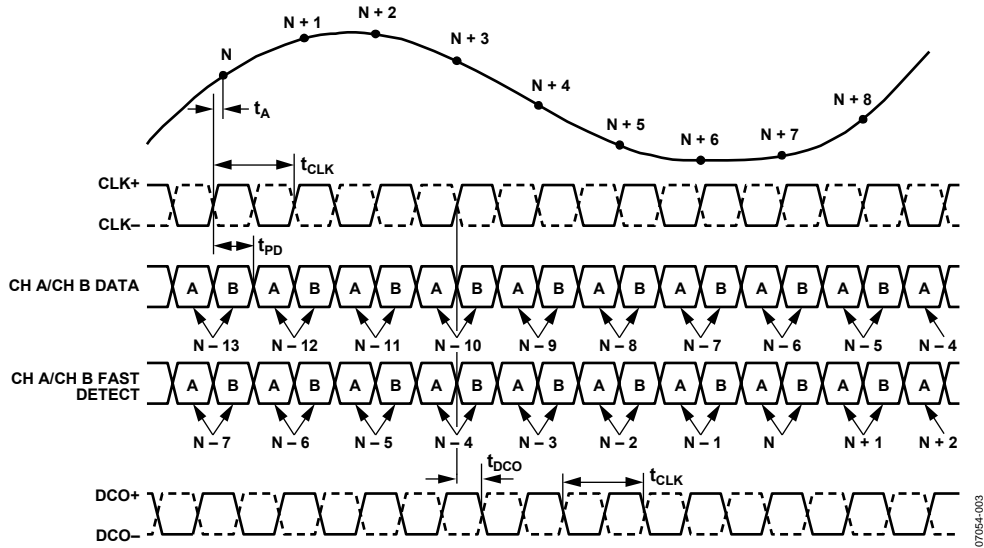


Figure 3. LVDS Mode Data and Fast Detect Output Timing (Fast Detect Mode Select Bits = 001 Through Fast Detect Mode Select Bits = 100)

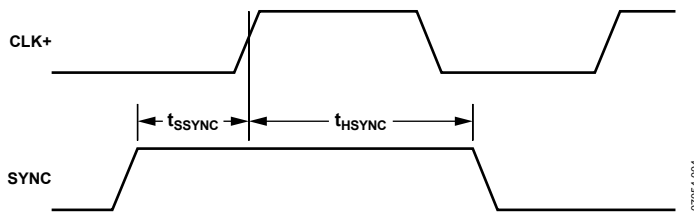


Figure 4. SYNC Input Timing Requirements

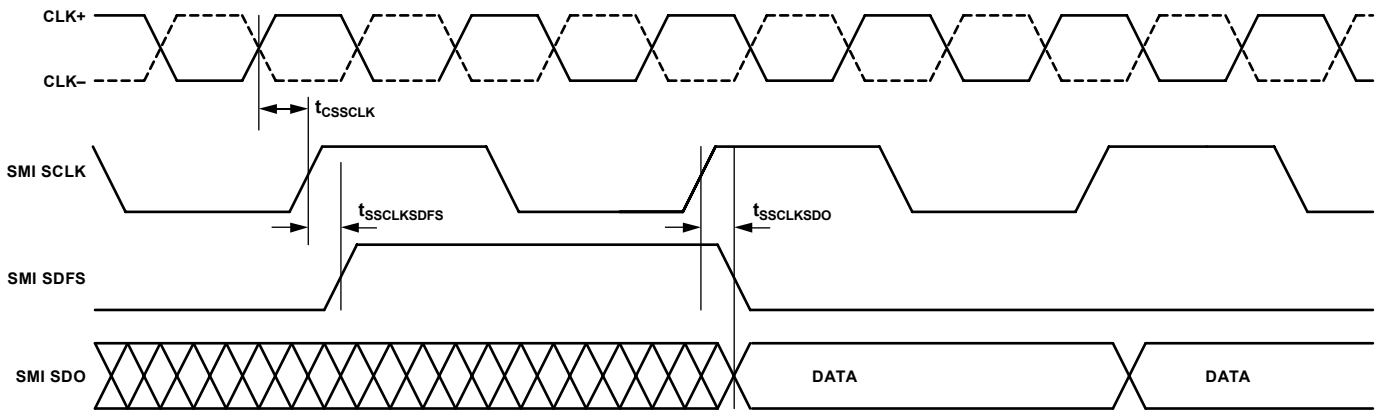


Figure 5. Signal Monitor SPORT Output Timing (Divide-by-2 Mode)

ABSOLUTE MAXIMUM RATINGS

Table 6.

| Parameter | Rating |
|---|-------------------------|
| ELECTRICAL | |
| AVDD, DVDD to AGND | −0.3 V to +2.0 V |
| DRVDD to DRGND | −0.3 V to +3.9 V |
| AGND to DRGND | −0.3 V to +0.3 V |
| AVDD to DRVDD | −3.9 V to +2.0 V |
| VIN+A/VIN+B, VIN−A/VIN−B to AGND | −0.3 V to AVDD + 0.2 V |
| CLK+, CLK− to AGND | −0.3 V to +3.9 V |
| SYNC to AGND | −0.3 V to +3.9 V |
| VREF to AGND | −0.3 V to AVDD + 0.2 V |
| SENSE to AGND | −0.3 V to AVDD + 0.2 V |
| CML to AGND | −0.3 V to AVDD + 0.2 V |
| RBIAS to AGND | −0.3 V to AVDD + 0.2 V |
| CSB to AGND | −0.3 V to +3.9 V |
| SCLK/DFS to DRGND | −0.3 V to +3.9 V |
| SDIO/DCS to DRGND | −0.3 V to DRVDD + 0.3 V |
| SMI SDO/OEB | −0.3 V to DRVDD + 0.3 V |
| SMI SCLK/PDWN | −0.3 V to DRVDD + 0.3 V |
| SMI SDFS | −0.3 V to DRVDD + 0.3 V |
| D0A/D0B through D10A/D10B to DRGND | −0.3 V to DRVDD + 0.3 V |
| FD0A/FD0B through FD3A/FD3B to DRGND | −0.3 V to DRVDD + 0.3 V |
| DCOA/DCOB to DRGND | −0.3 V to DRVDD + 0.3 V |
| ENVIRONMENTAL | |
| Operating Temperature Range (Ambient) | −40°C to +85°C |
| Maximum Junction Temperature Under Bias | 150°C |
| Storage Temperature Range (Ambient) | −65°C to +150°C |

Stresses above those listed under Absolute Maximum Ratings may cause permanent damage to the device. This is a stress rating only; functional operation of the device at these or any other conditions above those indicated in the operational section of this specification is not implied. Exposure to absolute maximum rating conditions for extended periods may affect device reliability.

THERMAL CHARACTERISTICS

The exposed paddle must be soldered to the ground plane for the LFCSP package. Soldering the exposed paddle to the customer board increases the reliability of the solder joints and maximizes the thermal capability of the package.

Table 7. Thermal Resistance

| Package Type | Airflow Velocity (m/s) | $\theta_{JA}^{1,2}$ | $\theta_{JC}^{1,3}$ | $\theta_{JB}^{1,4}$ | Unit |
|-----------------------|------------------------|---------------------|---------------------|---------------------|------|
| 64-Lead LFCSP | 0 | 18.8 | 0.6 | 6.0 | °C/W |
| 9 mm × 9 mm (CP-64-3) | 1.0 | 16.5 | | | °C/W |
| | 2.0 | 15.8 | | | °C/W |

¹ Per JEDEC 51-7, plus JEDEC 25-5 2S2P test board.

² Per JEDEC JESD51-2 (still air) or JEDEC JESD51-6 (moving air).

³ Per MIL-Std 883, Method 1012.1.

⁴ Per JEDEC JESD51-8 (still air).

Typical θ_{JA} is specified for a 4-layer PCB with a solid ground plane. As shown, airflow improves heat dissipation, which reduces θ_{JA} . In addition, metal in direct contact with the package leads from metal traces, through holes, ground, and power planes, reduces the θ_{JA} .

ESD CAUTION



ESD (electrostatic discharge) sensitive device. Charged devices and circuit boards can discharge without detection. Although this product features patented or proprietary protection circuitry, damage may occur on devices subjected to high energy ESD. Therefore, proper ESD precautions should be taken to avoid performance degradation or loss of functionality.

PIN CONFIGURATIONS AND FUNCTION DESCRIPTIONS

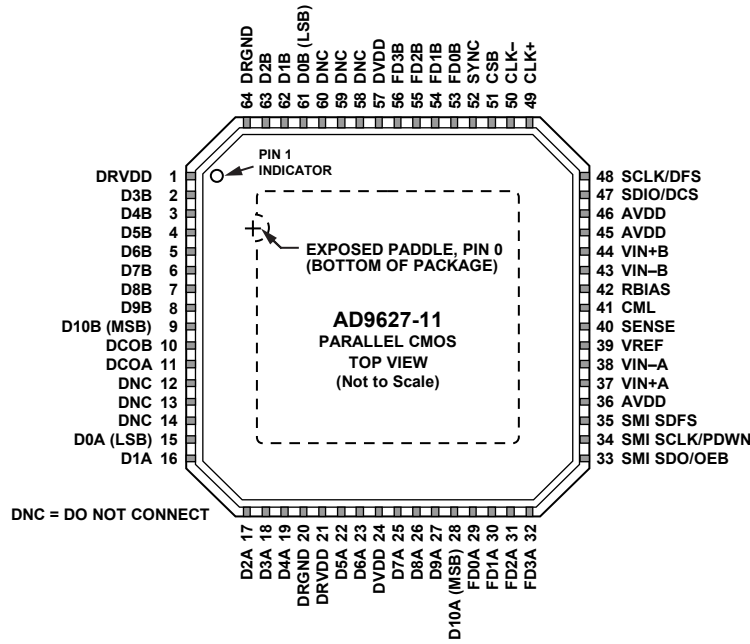


Figure 6. LFCSP Parallel CMOS Pin Configuration (Top View)

Table 8. Pin Function Descriptions (Parallel CMOS Mode)

| Pin No. | Mnemonic | Type | Description |
|--------------------------------|----------|--------------|---|
| ADC Power Supplies | | | |
| 20, 64 | DRGND | Ground | Digital Output Ground. |
| 1, 21 | DRVDD | Supply | Digital Output Driver Supply (1.8 V to 3.3 V). |
| 24, 57 | DVDD | Supply | Digital Power Supply (1.8 V Nominal). |
| 36, 45, 46 | AVDD | Supply | Analog Power Supply (1.8 V Nominal). |
| 0 | AGND | Ground | Analog Ground. Pin 0 is the exposed thermal pad on the bottom of the package. |
| 12 to 14, 58 to 60 | DNC | | Do Not Connect. |
| ADC Analog | | | |
| 37 | VIN+A | Input | Differential Analog Input Pin (+) for Channel A. |
| 38 | VIN-A | Input | Differential Analog Input Pin (-) for Channel A. |
| 44 | VIN+B | Input | Differential Analog Input Pin (+) for Channel B. |
| 43 | VIN-B | Input | Differential Analog Input Pin (-) for Channel B. |
| 39 | VREF | Input/Output | Voltage Reference Input/Output. |
| 40 | SENSE | Input | Voltage Reference Mode Select. See Table 11 for details. |
| 42 | RBIAS | Input/Output | External Reference Bias Resistor. |
| 41 | CML | Output | Common-Mode Level Bias Output for Analog Inputs. |
| 49 | CLK+ | Input | ADC Clock Input—True. |
| 50 | CLK- | Input | ADC Clock Input—Complement. |
| ADC Fast Detect Outputs | | | |
| 29 | FD0A | Output | Channel A Fast Detect Indicator. See Table 14 for details. |
| 30 | FD1A | Output | Channel A Fast Detect Indicator. See Table 14 for details. |
| 31 | FD2A | Output | Channel A Fast Detect Indicator. See Table 14 for details. |
| 32 | FD3A | Output | Channel A Fast Detect Indicator. See Table 14 for details. |
| 53 | FD0B | Output | Channel B Fast Detect Indicator. See Table 14 for details. |
| 54 | FD1B | Output | Channel B Fast Detect Indicator. See Table 14 for details. |
| 55 | FD2B | Output | Channel B Fast Detect Indicator. See Table 14 for details. |
| 56 | FD3B | Output | Channel B Fast Detect Indicator. See Table 14 for details. |
| Digital Input | | | |
| 52 | SYNC | Input | Digital Synchronization Pin. Slave mode only. |

| Pin No. | Mnemonic | Type | Description |
|---------------------|---------------|--------------|--|
| Digital Outputs | | | |
| 15 | D0A (LSB) | Output | Channel A CMOS Output Data. |
| 16 | D1A | Output | Channel A CMOS Output Data. |
| 17 | D2A | Output | Channel A CMOS Output Data. |
| 18 | D3A | Output | Channel A CMOS Output Data. |
| 19 | D4A | Output | Channel A CMOS Output Data. |
| 22 | D5A | Output | Channel A CMOS Output Data. |
| 23 | D6A | Output | Channel A CMOS Output Data. |
| 25 | D7A | Output | Channel A CMOS Output Data. |
| 26 | D8A | Output | Channel A CMOS Output Data. |
| 27 | D9A | Output | Channel A CMOS Output Data. |
| 28 | D10A (MSB) | Output | Channel A CMOS Output Data. |
| 61 | D0B (LSB) | Output | Channel B CMOS Output Data. |
| 62 | D1B | Output | Channel B CMOS Output Data. |
| 63 | D2B | Output | Channel B CMOS Output Data. |
| 2 | D3B | Output | Channel B CMOS Output Data. |
| 3 | D4B | Output | Channel B CMOS Output Data. |
| 4 | D5B | Output | Channel B CMOS Output Data. |
| 5 | D6B | Output | Channel B CMOS Output Data. |
| 6 | D7B | Output | Channel B CMOS Output Data. |
| 7 | D8B | Output | Channel B CMOS Output Data. |
| 8 | D9B | Output | Channel B CMOS Output Data. |
| 9 | D10B (MSB) | Output | Channel B CMOS Output Data. |
| 11 | DCOA | Output | Channel A Data Clock Output. |
| 10 | DCOB | Output | Channel B Data Clock Output. |
| SPI Control | | | |
| 48 | SCLK/DFS | Input | SPI Serial Clock/Data Format Select Pin in External Pin Mode. |
| 47 | SDIO/DCS | Input/Output | SPI Serial Data I/O/Duty Cycle Stabilizer Pin in External Pin Mode. |
| 51 | CSB | Input | SPI Chip Select (Active Low). |
| Signal Monitor Port | | | |
| 33 | SMI SDO/OEB | Input/Output | Signal Monitor Serial Data Output/Output Enable Input (Active Low) in External Pin Mode. |
| 35 | SMI SDFS | Output | Signal Monitor Serial Data Frame Sync. |
| 34 | SMI SCLK/PDWN | Input/Output | Signal Monitor Serial Clock Output/Power-Down Input in External Pin Mode. |

AD9627-11

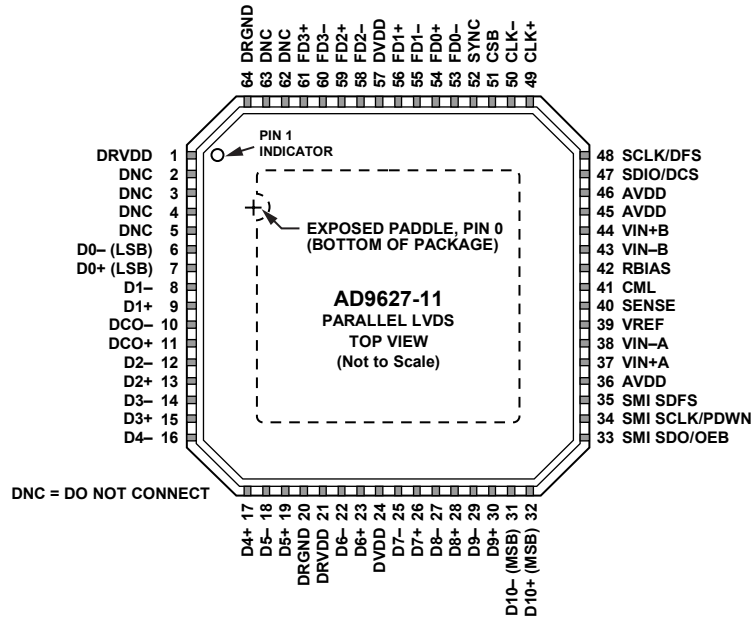


Figure 7. LFCSP Interleaved Parallel LVDS Pin Configuration (Top View)

Table 9. Pin Function Descriptions (Interleaved Parallel LVDS Mode)

| Pin No. | Mnemonic | Type | Description |
|-------------------------|----------|--------------|--|
| ADC Power Supplies | | | |
| 20, 64 | DRGND | Ground | Digital Output Ground. |
| 1, 21 | DRVDD | Supply | Digital Output Driver Supply (1.8 V to 3.3 V). |
| 24, 57 | DVDD | Supply | Digital Power Supply (1.8 V Nominal). |
| 36, 45, 46 | AVDD | Supply | Analog Power Supply (1.8 V Nominal). |
| 0 | AGND | Ground | Analog Ground. Pin 0 is the exposed thermal pad on the bottom of the package. |
| 2, 3, 4, 5, 62, 63 | DNC | | Do Not Connect. |
| ADC Analog | | | |
| 37 | VIN+A | Input | Differential Analog Input Pin (+) for Channel A. |
| 38 | VIN-A | Input | Differential Analog Input Pin (-) for Channel A. |
| 44 | VIN+B | Input | Differential Analog Input Pin (+) for Channel B. |
| 43 | VIN-B | Input | Differential Analog Input Pin (-) for Channel B. |
| 39 | VREF | Input/Output | Voltage Reference Input/Output. |
| 40 | SENSE | Input | Voltage Reference Mode Select. See Table 11 for details. |
| 42 | RBIAS | Input/Output | External Reference Bias Resistor. |
| 41 | CML | Output | Common-Mode Level Bias Output for Analog Inputs. |
| 49 | CLK+ | Input | ADC Clock Input—True. |
| 50 | CLK- | Input | ADC Clock Input—Complement. |
| ADC Fast Detect Outputs | | | |
| 54 | FD0+ | Output | Channel A/Channel B LVDS Fast Detect Indicator 0—True. See Table 14 for details. |
| 53 | FD0- | Output | Channel A/Channel B LVDS Fast Detect Indicator 0—Complement. See Table 14 for details. |
| 56 | FD1+ | Output | Channel A/Channel B LVDS Fast Detect Indicator 1—True. See Table 14 for details. |
| 55 | FD1- | Output | Channel A/Channel B LVDS Fast Detect Indicator 1—Complement. See Table 14 for details. |
| 59 | FD2+ | Output | Channel A/Channel B LVDS Fast Detect Indicator 2—True. See Table 14 for details. |
| 58 | FD2- | Output | Channel A/Channel B LVDS Fast Detect Indicator 2—Complement. See Table 14 for details. |
| 61 | FD3+ | Output | Channel A/Channel B LVDS Fast Detect Indicator 3—True. See Table 14 for details. |
| 60 | FD3- | Output | Channel A/Channel B LVDS Fast Detect Indicator 3—Complement. See Table 14 for details. |
| Digital Input | | | |
| 52 | SYNC | Input | Digital Synchronization Pin. Slave mode only. |

| Pin No. | Mnemonic | Type | Description |
|---------------------|---------------|--------------|--|
| Digital Outputs | | | |
| 7 | D0+ (LSB) | Output | Channel A/Channel B LVDS Output Data 0—True. |
| 6 | D0- (LSB) | Output | Channel A/Channel B LVDS Output Data 0—Complement. |
| 9 | D1+ | Output | Channel A/Channel B LVDS Output Data 1—True. |
| 8 | D1- | Output | Channel A/Channel B LVDS Output Data 1—Complement. |
| 13 | D2+ | Output | Channel A/Channel B LVDS Output Data 2—True. |
| 12 | D2- | Output | Channel A/Channel B LVDS Output Data 2—Complement. |
| 15 | D3+ | Output | Channel A/Channel B LVDS Output Data 3—True. |
| 14 | D3- | Output | Channel A/Channel B LVDS Output Data 3—Complement. |
| 17 | D4+ | Output | Channel A/Channel B LVDS Output Data 4—True. |
| 16 | D4- | Output | Channel A/Channel B LVDS Output Data 4—Complement. |
| 19 | D5+ | Output | Channel A/Channel B LVDS Output Data 5—True. |
| 18 | D5- | Output | Channel A/Channel B LVDS Output Data 5—Complement. |
| 23 | D6+ | Output | Channel A/Channel B LVDS Output Data 6—True. |
| 22 | D6- | Output | Channel A/Channel B LVDS Output Data 6—Complement. |
| 26 | D7+ | Output | Channel A/Channel B LVDS Output Data 7—True. |
| 25 | D7- | Output | Channel A/Channel B LVDS Output Data 7—Complement. |
| 28 | D8+ | Output | Channel A/Channel B LVDS Output Data 8—True. |
| 27 | D8- | Output | Channel A/Channel B LVDS Output Data 8—Complement. |
| 30 | D9+ | Output | Channel A/Channel B LVDS Output Data 9—True. |
| 29 | D9- | Output | Channel A/Channel B LVDS Output Data 9—Complement. |
| 32 | D10+ (MSB) | Output | Channel A/Channel B LVDS Output Data 10—True. |
| 31 | D10- (MSB) | Output | Channel A/Channel B LVDS Output Data 10—Complement. |
| 11 | DCO+ | Output | Channel A/Channel B LVDS Data Clock Output—True. |
| 10 | DCO- | Output | Channel A/Channel B LVDS Data Clock Output—Complement. |
| SPI Control | | | |
| 48 | SCLK/DFS | Input | SPI Serial Clock/Data Format Select Pin in External Pin Mode. |
| 47 | SDIO/DCS | Input/Output | SPI Serial Data I/O/Duty Cycle Stabilizer Pin in External Pin Mode. |
| 51 | CSB | Input | SPI Chip Select (Active Low). |
| Signal Monitor Port | | | |
| 33 | SMI SDO/OEB | Input/Output | Signal Monitor Serial Data Output/Output Enable Input (Active Low) in External Pin Mode. |
| 35 | SMI SDFS | Output | Signal Monitor Serial Data Frame Sync. |
| 34 | SMI SCLK/PDWN | Input/Output | Signal Monitor Serial Clock Output/Power-Down Input in External Pin Mode. |

EQUIVALENT CIRCUITS

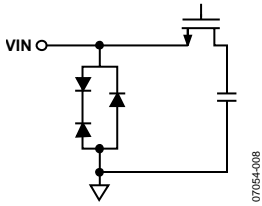


Figure 8. Equivalent Analog Input Circuit

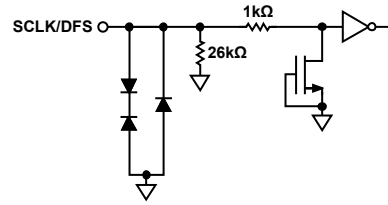


Figure 12. Equivalent SCLK/DFS Input Circuit

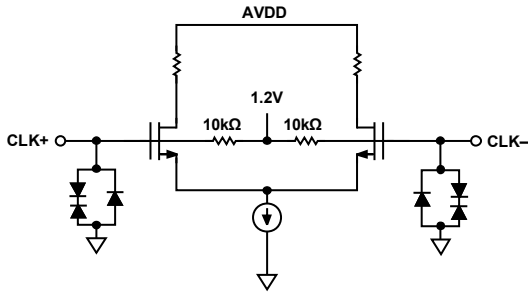


Figure 9. Equivalent Clock Input Circuit

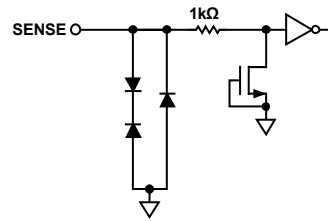


Figure 13. Equivalent SENSE Circuit

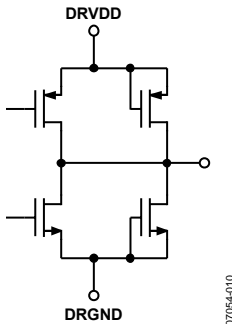


Figure 10. Digital Output

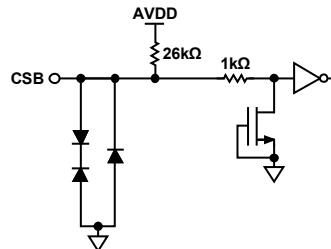


Figure 14. Equivalent CSB Input Circuit

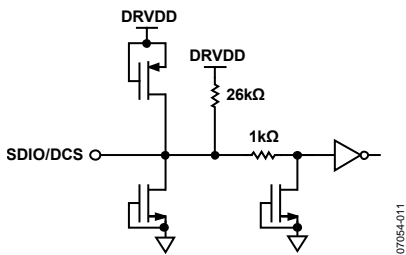


Figure 11. Equivalent SDIO/DCS or SMI SDFS Circuit

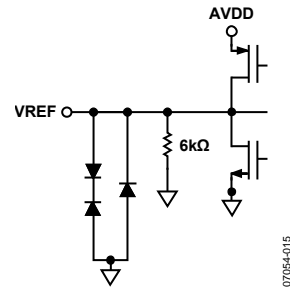


Figure 15. Equivalent VREF Circuit

TYPICAL PERFORMANCE CHARACTERISTICS

AVDD = 1.8 V, DVDD = 1.8 V, DRVDD = 3.3 V, sample rate = 150 MSPS, DCS enabled, 1.0 V internal reference, 2 V p-p differential input, VIN = -1.0 dBFS; and 64k sample, TA = 25°C, unless otherwise noted.

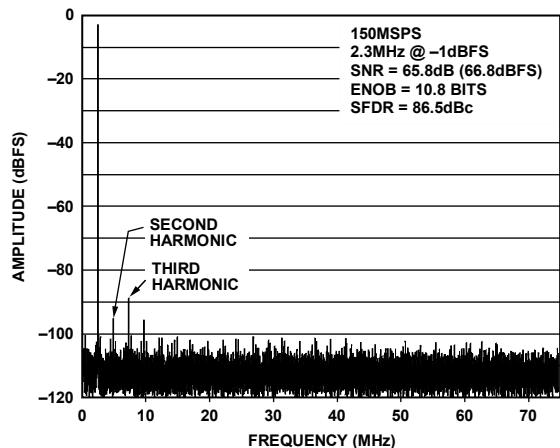


Figure 16. AD9627-11-150 Single-Tone FFT with $f_{IN} = 2.3$ MHz

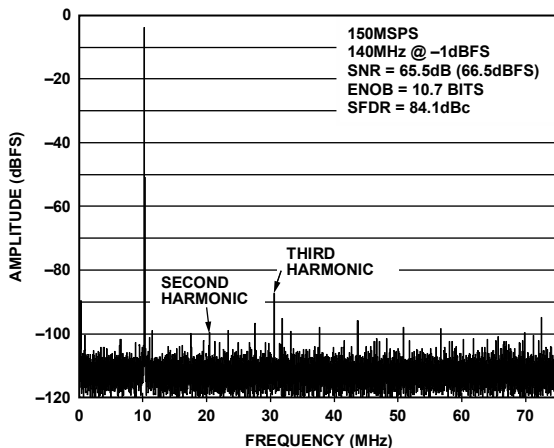


Figure 19. AD9627-11-150 Single-Tone FFT with $f_{IN} = 140$ MHz

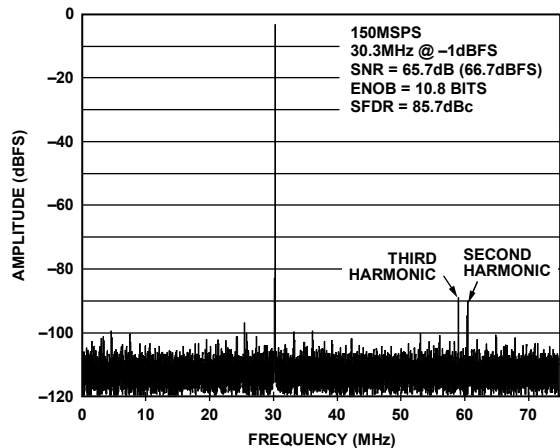


Figure 17. AD9627-11-150 Single-Tone FFT with $f_{IN} = 30.3$ MHz

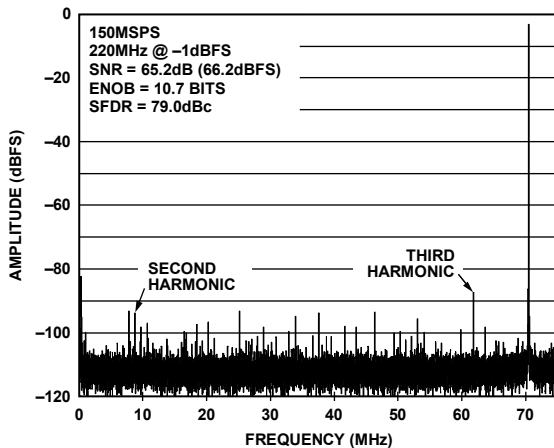


Figure 20. AD9627-11-150 Single-Tone FFT with $f_{IN} = 220$ MHz

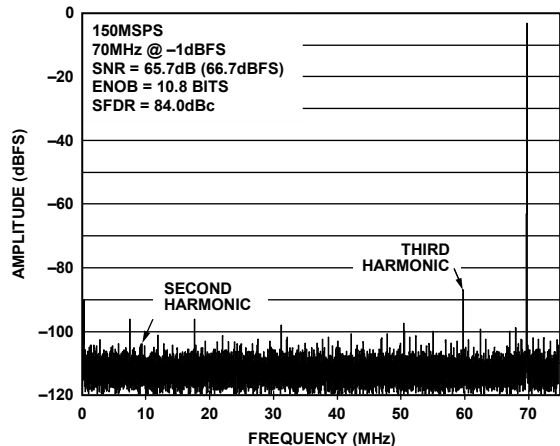


Figure 18. AD9627-11-150 Single-Tone FFT with $f_{IN} = 70$ MHz

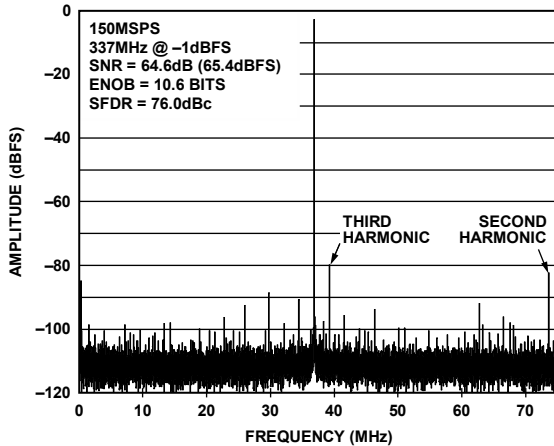


Figure 21. AD9627-11-150 Single-Tone FFT with $f_{IN} = 337$ MHz

AD9627-11

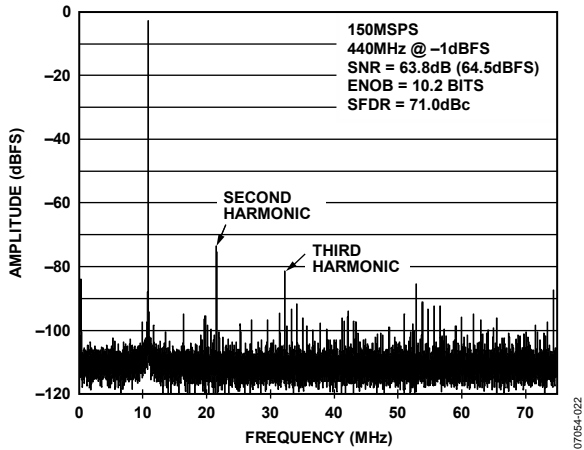


Figure 22. AD9627-11-150 Single-Tone FFT with $f_{IN} = 440$ MHz

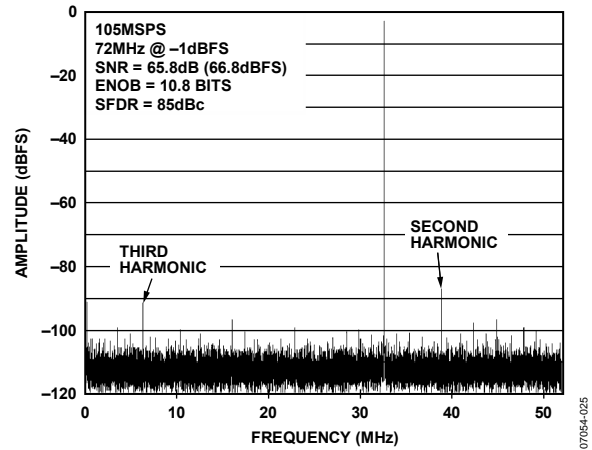


Figure 25. AD9627-11-105 Single-Tone FFT with $f_{IN} = 72$ MHz

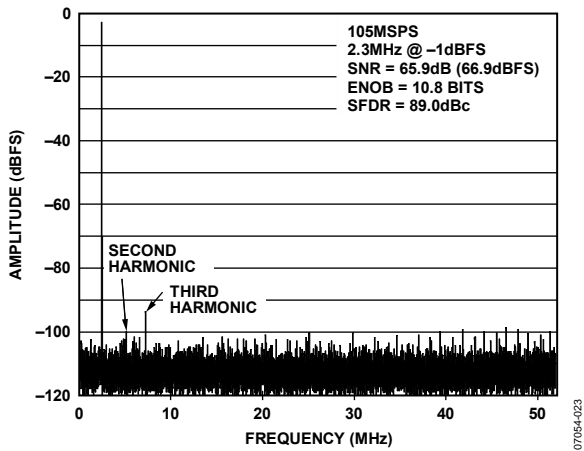


Figure 23. AD9627-11-105 Single-Tone FFT with $f_{IN} = 2.3$ MHz

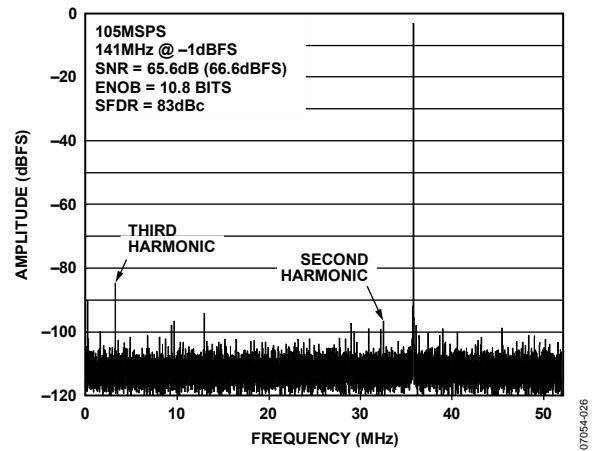


Figure 26. AD9627-11-105 Single-Tone FFT with $f_{IN} = 141$ MHz

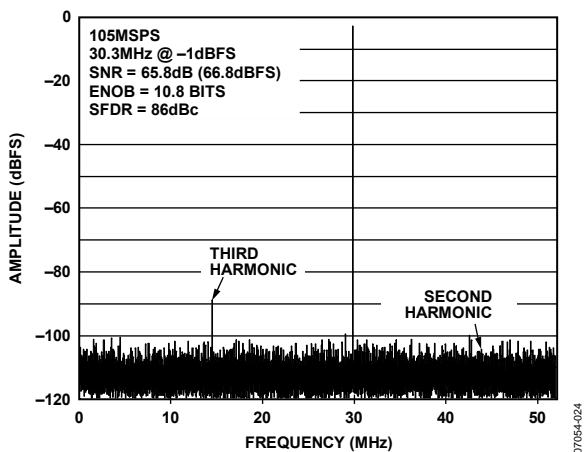


Figure 24. AD9627-11-105 Single-Tone FFT with $f_{IN} = 30.3$ MHz

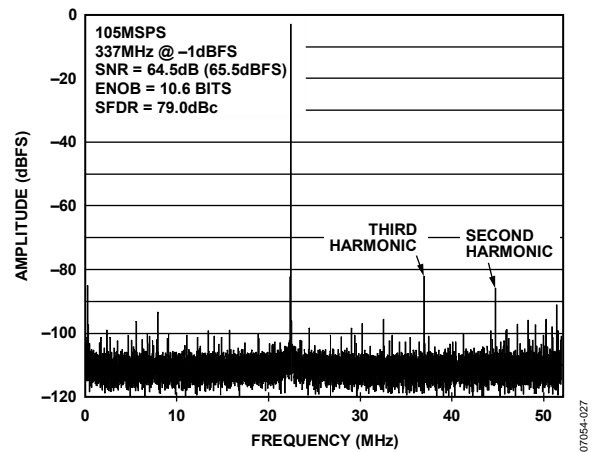


Figure 27. AD9627-11-105 Single-Tone FFT with $f_{IN} = 337$ MHz

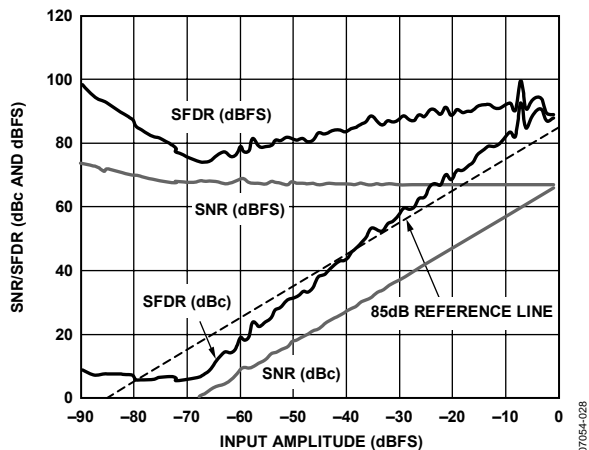


Figure 28. AD9627-11-150 Single-Tone SNR/SFDR vs. Input Amplitude (A_{IN}) with $f_{IN} = 2.4$ MHz

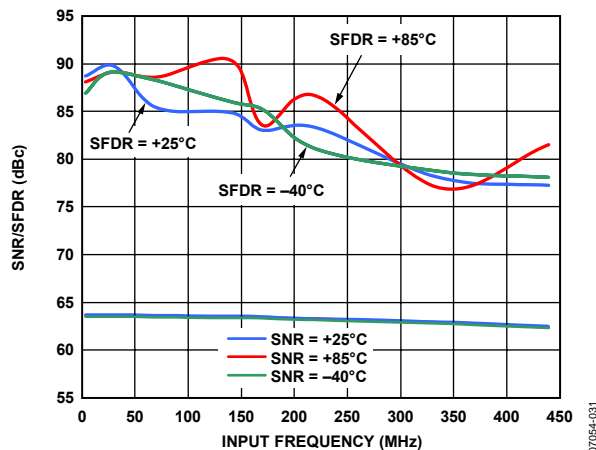


Figure 31. AD9627-11-150 Single-Tone SNR/SFDR vs. Input Frequency (f_{IN}) and Temperature with 1 V p-p Full Scale

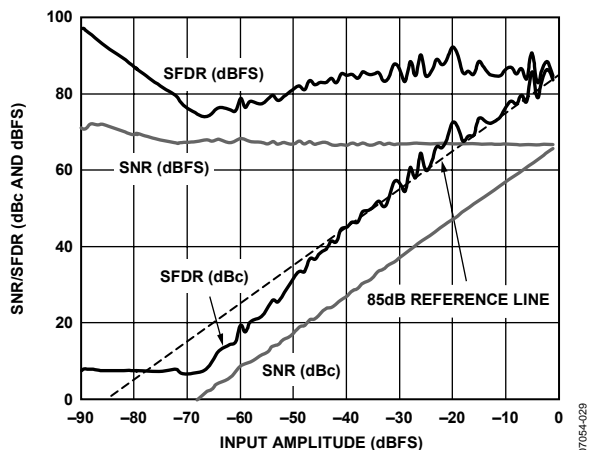


Figure 29. AD9627-11-150 Single-Tone SNR/SFDR vs. Input Amplitude (A_{IN}) with $f_{IN} = 98.12$ MHz

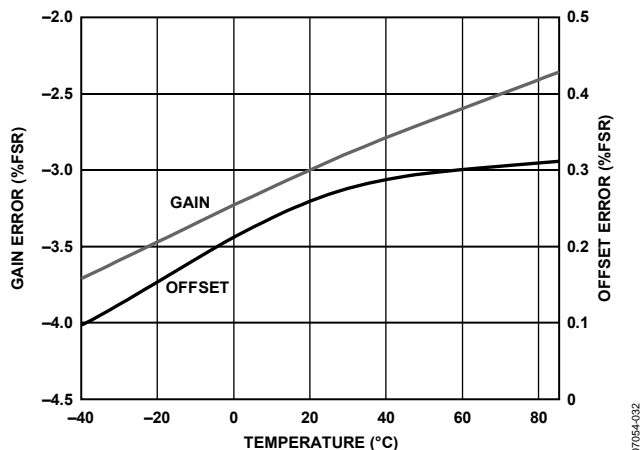


Figure 32. AD9627-11-150 Gain and Offset vs. Temperature

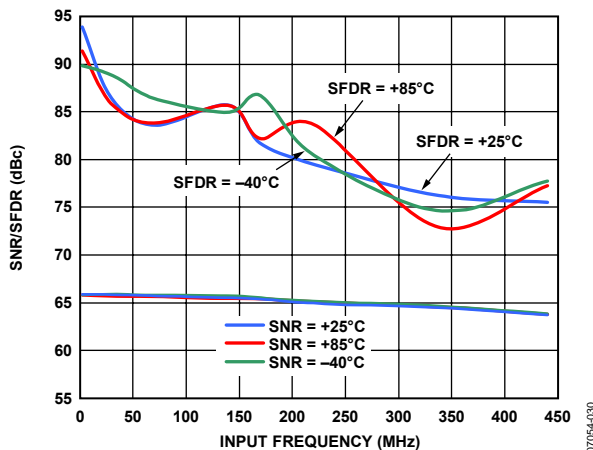


Figure 30. AD9627-11-150 Single-Tone SNR/SFDR vs. Input Frequency (f_{IN}) and Temperature with 2 V p-p Full Scale

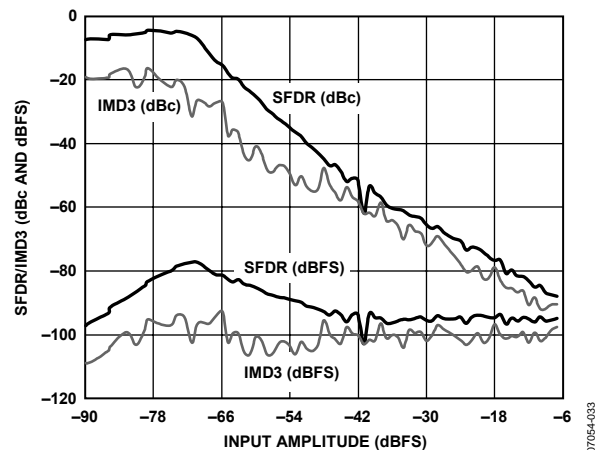


Figure 33. AD9627-11-150 Two-Tone SFDR/IMD3 vs. Input Amplitude (A_{IN}) with $f_{IN1} = 29.1$ MHz, $f_{IN2} = 32.1$ MHz, $f_s = 150$ MSPS

AD9627-11

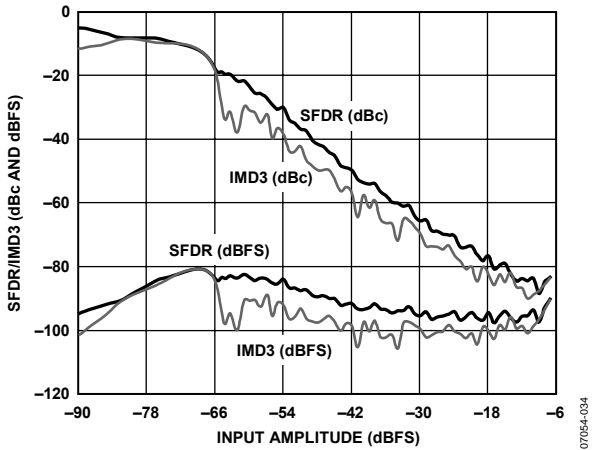


Figure 34. AD9627-11-150 Two-Tone SFDR/IMD3 vs. Input Amplitude (A_{IN}) with $f_{IN1} = 169.1$ MHz, $f_{IN2} = 172.1$ MHz, $f_s = 150$ MSPS

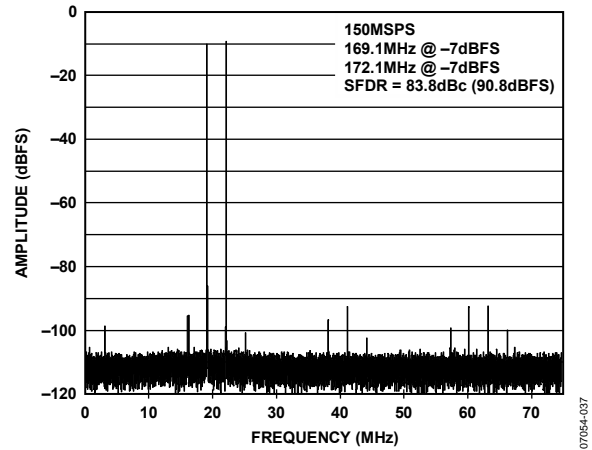


Figure 37. AD9627-11-150 Two-Tone FFT with $f_{IN1} = 169.1$ MHz and $f_{IN2} = 172.1$ MHz

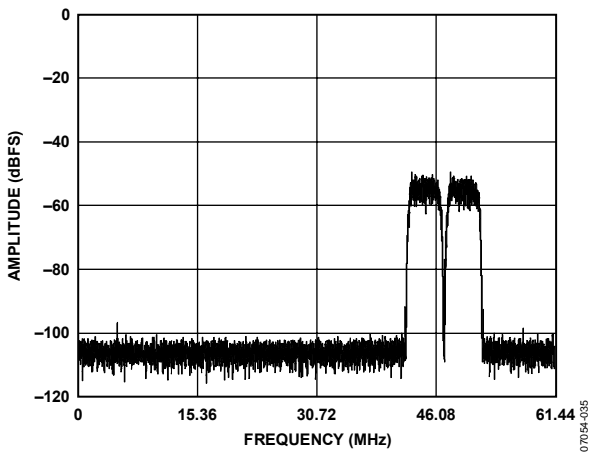


Figure 35. AD9627-11-150, Two 64k WCDMA Carriers with $f_{IN} = 170$ MHz, $f_s = 122.88$ MSPS

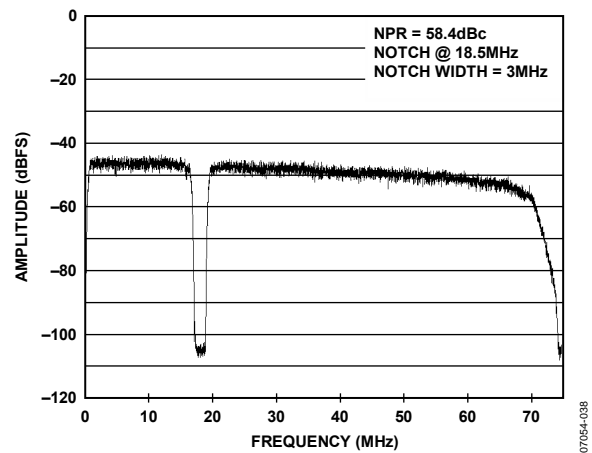


Figure 38. AD9627-11 Noise Power Ratio (NPR)

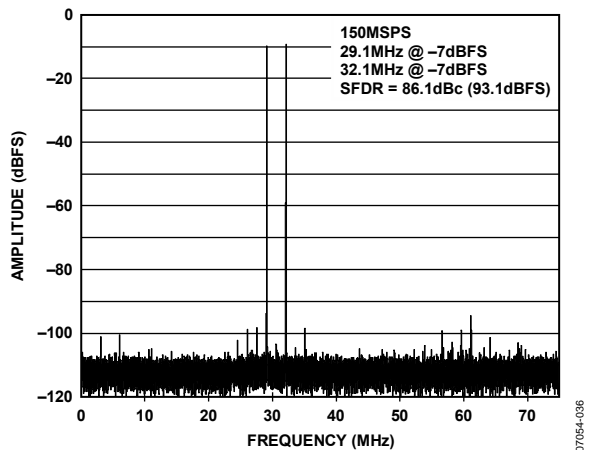


Figure 36. AD9627-11-150 Two-Tone FFT with $f_{IN1} = 29.1$ MHz and $f_{IN2} = 32.1$ MHz

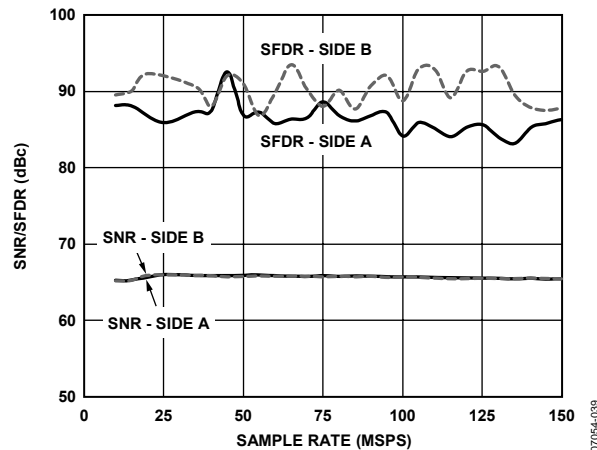


Figure 39. AD9627-11-150 Single-Tone SNR/SFDR vs. Sample Rate (f_s) with $f_{IN} = 2.3$ MHz

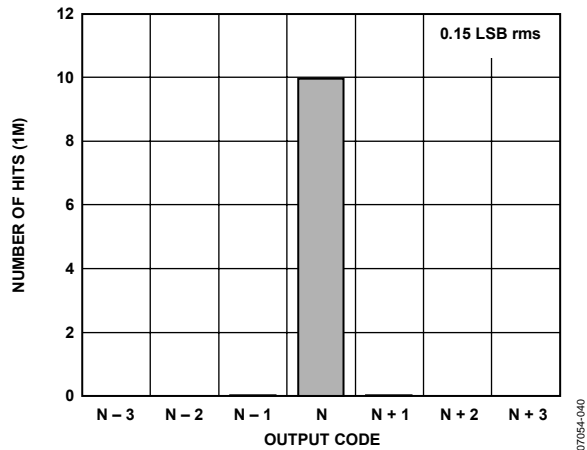


Figure 40. AD9627-11 Grounded Input Histogram

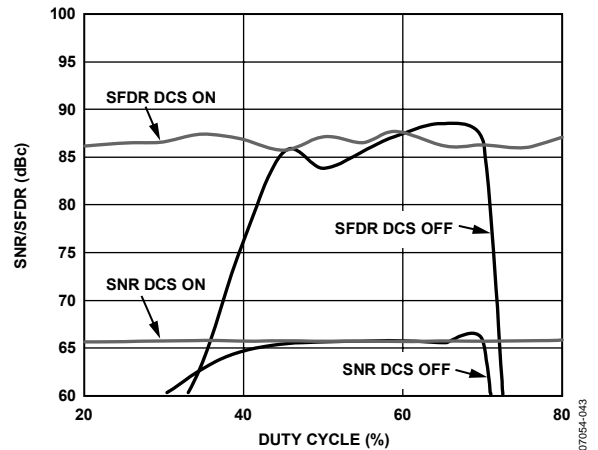


Figure 43. AD9627-11 SNR/SFDR vs. Duty Cycle with $f_{IN} = 10.3$ MHz

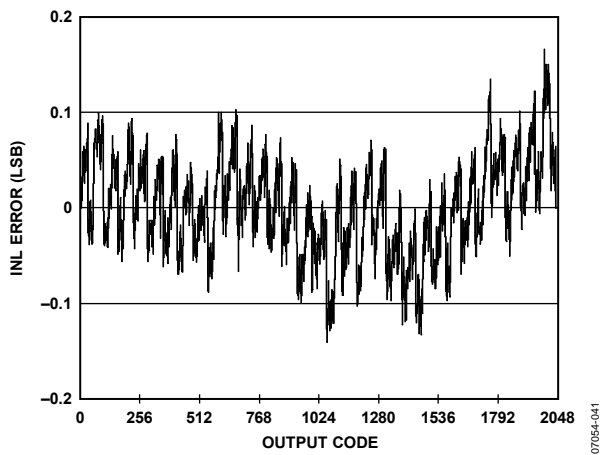


Figure 41. AD9627-11 INL with $f_{IN} = 10.3$ MHz

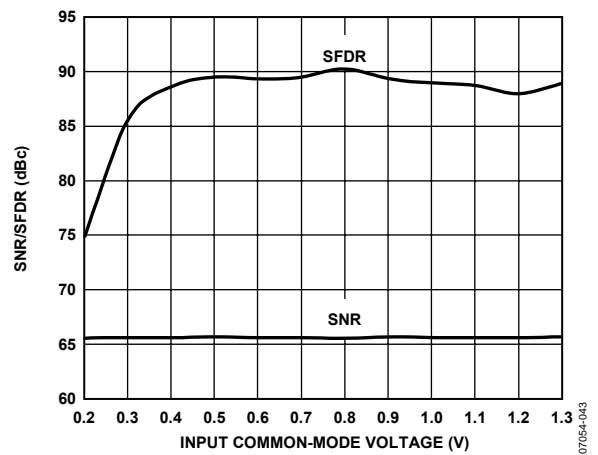


Figure 44. AD9627-11 SNR/SFDR vs. Input Common Mode (VCM) with $f_{IN} = 30$ MHz

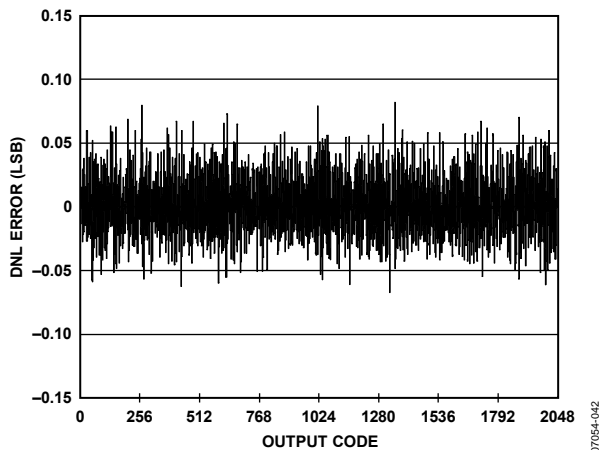


Figure 42. AD9627-11 DNL with $f_{IN} = 10.3$ MHz

THEORY OF OPERATION

The AD9627-11 dual ADC design can be used for diversity reception of signals, where the ADCs are operating identically on the same carrier but from two separate antennae. The ADCs can also be operated with independent analog inputs. The user can sample any $f_s/2$ frequency segment from dc to 200 MHz, using appropriate low-pass or band-pass filtering at the ADC inputs with little loss in ADC performance. Operation to 450 MHz analog input is permitted but occurs at the expense of increased ADC noise and distortion.

In nondiversity applications, the AD9627-11 can be used as a baseband or direct downconversion receiver, where one ADC is used for I input data and the other is used for Q input data.

Synchronization capability is provided to allow synchronized timing between multiple channels or multiple devices.

Programming and control of the AD9627-11 are accomplished using a 3-bit SPI-compatible serial interface.

ADC ARCHITECTURE

The AD9627-11 architecture consists of a dual front-end sample-and-hold amplifier (SHA), followed by a pipelined, switched-capacitor ADC. The quantized outputs from each stage are combined into a final 11-bit result in the digital correction logic. The pipelined architecture permits the first stage to operate on a new input sample and the remaining stages to operate on the preceding samples. Sampling occurs on the rising edge of the clock.

Each stage of the pipeline, excluding the last, consists of a low resolution flash ADC connected to a switched-capacitor digital-to-analog converter (DAC) and an interstage residue amplifier (MDAC). The residue amplifier magnifies the difference between the reconstructed DAC output and the flash input for the next stage in the pipeline. One bit of redundancy is used in each stage to facilitate digital correction of flash errors. The last stage simply consists of a flash ADC.

The input stage of each channel contains a differential SHA that can be ac- or dc-coupled in differential or single-ended modes. The output staging block aligns the data, corrects errors, and passes the data to the output buffers. The output buffers are powered from a separate supply, allowing adjustment of the output voltage swing. During power-down, the output buffers go into a high impedance state.

ANALOG INPUT CONSIDERATIONS

The analog input to the AD9627-11 is a differential switched-capacitor SHA that has been designed for optimum performance while processing a differential input signal.

The clock signal alternatively switches the SHA between sample mode and hold mode (see Figure 45). When the SHA is switched into sample mode, the signal source must be capable of charging the sample capacitors and settling within 1/2 of a clock cycle.

A small resistor in series with each input can help reduce the peak transient current required from the output stage of the

driving source. A shunt capacitor can be placed across the inputs to provide dynamic charging currents. This passive network creates a low-pass filter at the ADC input; therefore, the precise values are dependent on the application.

In intermediate frequency (IF) undersampling applications, any shunt capacitors should be reduced. In combination with the driving source impedance, the shunt capacitors limit the input bandwidth. See Application Note AN-742, *Frequency Domain Response of Switched-Capacitor ADCs*; Application Note AN-827, *A Resonant Approach to Interfacing Amplifiers to Switched-Capacitor ADCs*; and the *Analog Dialogue* article, “Transformer-Coupled Front-End for Wideband A/D Converters,” for more information on this subject.

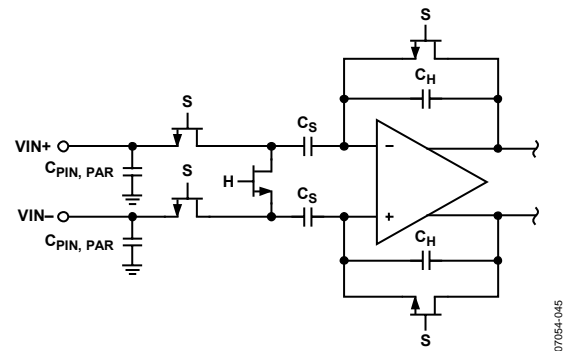


Figure 45. Switched-Capacitor SHA Input

For best dynamic performance, the source impedances driving VIN+ and VIN- should be matched.

An internal differential reference buffer creates positive and negative reference voltages that define the input span of the ADC core. The span of the ADC core is set by this buffer to $2 \times V_{REF}$.

Input Common Mode

The analog inputs of the AD9627-11 are not internally dc biased. In ac-coupled applications, the user must provide this bias externally. Setting the device so that $V_{CM} = 0.55 \times AV_{DD}$ is recommended for optimum performance, but the device functions over a wider range with reasonable performance (see Figure 44). An on-board common-mode voltage reference is included in the design and is available from the CML pin. Optimum performance is achieved when the common-mode voltage of the analog input is set by the CML pin voltage (typically $0.55 \times AV_{DD}$). The CML pin must be decoupled to ground by a $0.1 \mu\text{F}$ capacitor, as described in the Applications Information section.

Differential Input Configurations

Optimum performance is achieved while driving the AD9627-11 in a differential input configuration. For baseband applications, the AD8138, ADA4937-2, and ADA4938-2 differential drivers provide excellent performance and a flexible interface to the ADC.

The output common-mode voltage of the AD8138 is easily set with the CML pin of the AD9627-11 (see Figure 46), and the driver can be configured in a Sallen-Key filter topology to provide band limiting of the input signal.

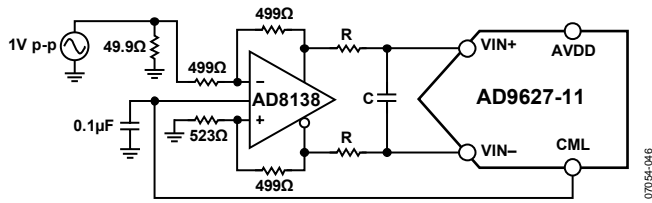


Figure 46. Differential Input Configuration Using the AD8138

For baseband applications where SNR is a key parameter, differential transformer coupling is the recommended input configuration. An example is shown in Figure 47. To bias the analog input, the CML voltage can be connected to the center tap of the secondary winding of the transformer

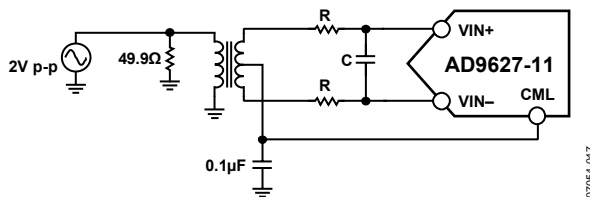


Figure 47. Differential Transformer-Coupled Configuration

The signal characteristics must be considered when selecting a transformer. Most RF transformers saturate at frequencies below a few megahertz (MHz). Excessive signal power can also cause core saturation, which leads to distortion.

At input frequencies in the second Nyquist zone and above, the noise performance of most amplifiers is not adequate to achieve the true SNR performance of the AD9627-11. For applications where SNR is a key parameter, differential double balun coupling is the recommended input configuration (see Figure 49).

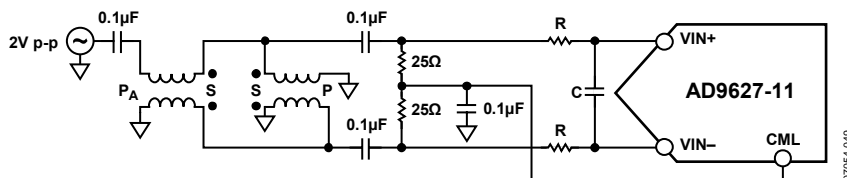


Figure 49. Differential Double Balun Input Configuration

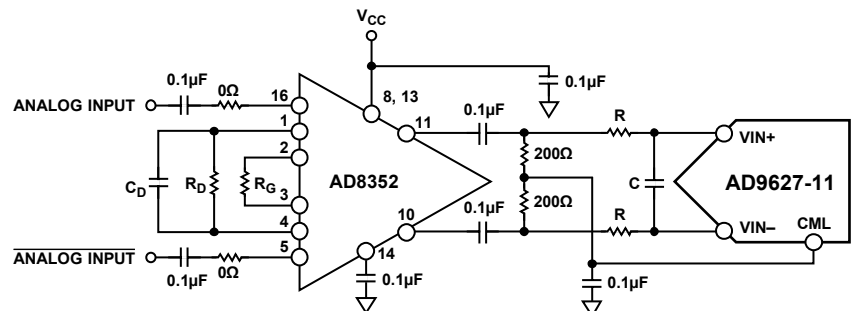


Figure 50. Differential Input Configuration Using the AD8352

An alternative to using a transformer-coupled input at frequencies in the second Nyquist zone is to use the AD8352 differential driver. An example is shown in Figure 50. See the [AD8352](#) data sheet for more information.

In any configuration, the value of Shunt Capacitor C is dependent on the input frequency and source impedance and may need to be reduced or removed. Table 10 displays recommended values to set the RC network. However, these values are dependent on the input signal and should be used only as a starting guide.

Table 10. Example RC Network

| Frequency Range (MHz) | R Series (Ω Each) | C Differential (pF) |
|-----------------------|-------------------|---------------------|
| 0 to 70 | 33 | 15 |
| 70 to 200 | 33 | 5 |
| 200 to 300 | 15 | 5 |
| >300 | 15 | Open |

Single-Ended Input Configuration

A single-ended input can provide adequate performance in cost sensitive applications. In this configuration, SFDR and distortion performance degrade due to the large input common-mode swing. If the source impedances on each input are matched, there should be little effect on SNR performance. Figure 48 shows a typical single-ended input configuration.

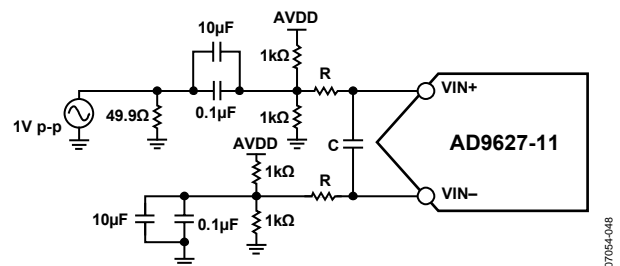


Figure 48. Single-Ended Input Configuration

AD9627-11

VOLTAGE REFERENCE

A stable and accurate voltage reference is built into the AD9627-11. The input range can be adjusted by varying the reference voltage applied to the AD9627-11, using either the internal reference or an externally applied reference voltage. The input span of the ADC tracks reference voltage changes linearly. The various reference modes are summarized in the sections that follow. The Reference Decoupling section describes the best practices PCB layout of the reference.

Internal Reference Connection

A comparator within the AD9627-11 detects the potential at the SENSE pin and configures the reference into four possible modes, which are summarized in Table 11. If SENSE is grounded, the reference amplifier switch is connected to the internal resistor divider (see Figure 51), setting VREF to 1.0 V. Connecting the SENSE pin to VREF switches the reference amplifier output to the SENSE pin, completing the loop and providing a 0.5 V reference output.

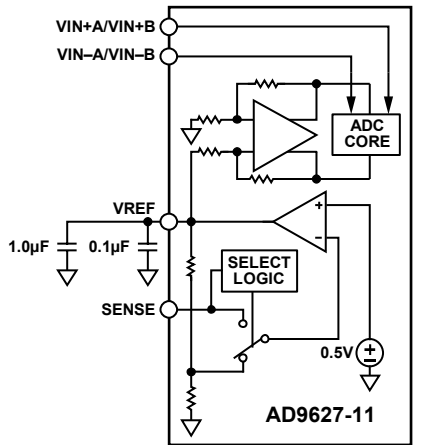


Figure 51. Internal Reference Configuration

If a resistor divider is connected external to the chip, as shown in Figure 52, the switch again sets to the SENSE pin. This puts the reference amplifier in a noninverting mode with the VREF output defined as follows:

$$V_{REF} = 0.5 \times \left(1 + \frac{R2}{R1} \right)$$

The input range of the ADC always equals twice the voltage at the reference pin for either an internal or an external reference.

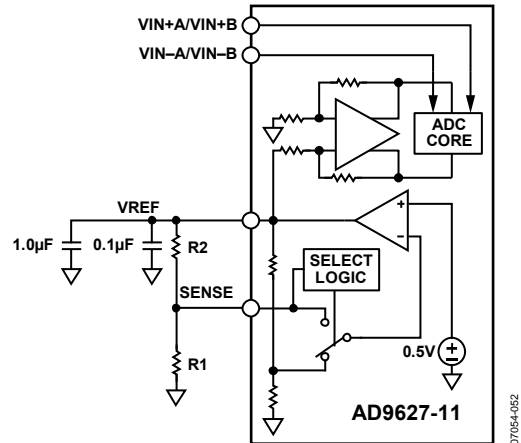


Figure 52. Programmable Reference Configuration

If the internal reference of the AD9627-11 is used to drive multiple converters to improve gain matching, the loading of the reference by the other converters must be considered. Figure 53 shows how the internal reference voltage is affected by loading.

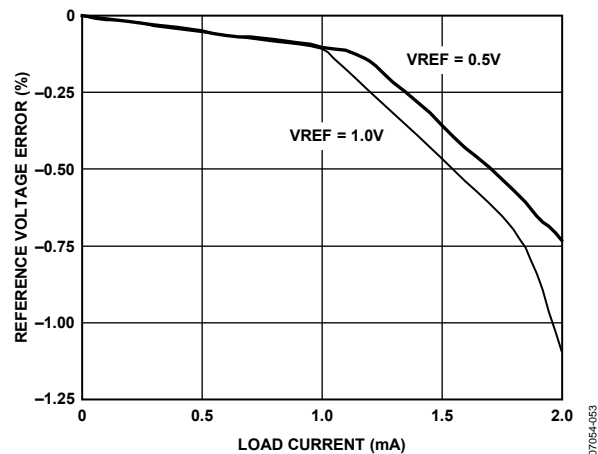


Figure 53. VREF Accuracy vs. Load

Table 11. Reference Configuration Summary

| Selected Mode | SENSE Voltage | Resulting VREF (V) | Resulting Differential Span (V p-p) |
|--------------------------|---------------|---|-------------------------------------|
| External Reference | AVDD | N/A | 2 × external reference |
| Internal Fixed Reference | VREF | 0.5 | 1.0 |
| Programmable Reference | 0.2 V to VREF | $0.5 \times \left(1 + \frac{R2}{R1} \right)$ (see Figure 52) | 2 × VREF |
| Internal Fixed Reference | AGND to 0.2 V | 1.0 | 2.0 |

External Reference Operation

The use of an external reference may be necessary to enhance the gain accuracy of the ADC or improve thermal drift characteristics. Figure 54 shows the typical drift characteristics of the internal reference in 1.0 V mode.

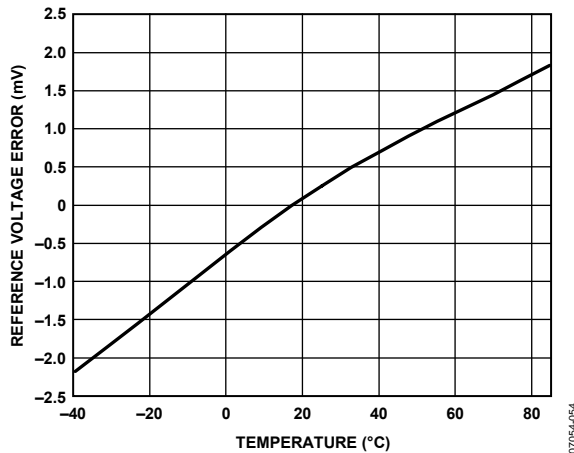


Figure 54. Typical VREF Drift

When the SENSE pin is tied to AVDD, the internal reference is disabled, allowing the use of an external reference. An internal reference buffer loads the external reference with an equivalent 6 kΩ load (see Figure 15). The internal buffer generates the positive and negative full-scale references for the ADC core. Therefore, the external reference must be limited to a maximum of 1.0 V.

CLOCK INPUT CONSIDERATIONS

For optimum performance, the AD9627-11 sample clock inputs, CLK+ and CLK-, should be clocked with a differential signal. The signal is typically ac-coupled into the CLK+ and CLK- pins via a transformer or capacitors. These pins are biased internally (see Figure 55) and require no external bias.

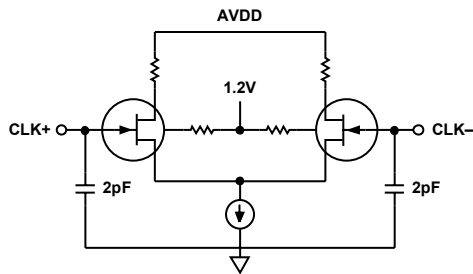


Figure 55. Equivalent Clock Input Circuit

Clock Input Options

The AD9627-11 has a very flexible clock input structure. Clock input can be a CMOS, LVDS, LVPECL, or sine wave signal. Regardless of the type of signal being used, clock source jitter is of the most concern, as described in the Jitter Considerations section.

Figure 56 and Figure 57 show two preferred methods for clocking the AD9627-11 (at clock rates up to 625 MHz). A low jitter clock source is converted from a single-ended signal to a differential signal using either an RF balun or an RF transformer.

The RF balun configuration is recommended for clock frequencies between 125 MHz and 625 MHz, and the RF transformer is recommended for clock frequencies from 10 MHz to 200 MHz. The back-to-back Schottky diodes across the transformer/balun secondary limit clock excursions into the AD9627-11 to approximately 0.8 V p-p differential.

This helps prevent the large voltage swings of the clock from feeding through to other portions of the AD9627-11 while preserving the fast rise and fall times of the signal that are critical to a low jitter performance.

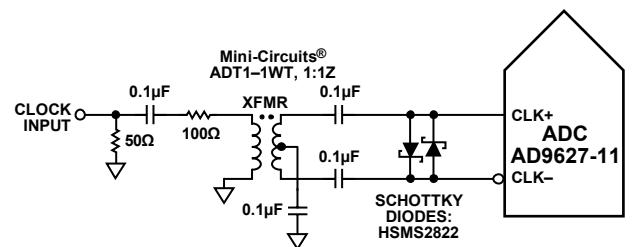


Figure 56. Transformer-Coupled Differential Clock (Up to 200 MHz)

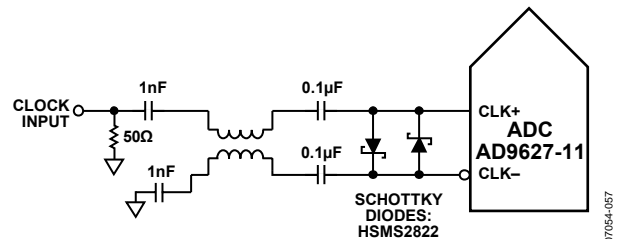


Figure 57. Balun-Coupled Differential Clock (Up to 625 MHz)

If a low jitter clock source is not available, another option is to ac couple a differential PECL signal to the sample clock input pins, as shown in Figure 58. The AD9510/AD9511/AD9512/AD9513/AD9514/AD9515/AD9516 clock drivers offer excellent jitter performance.

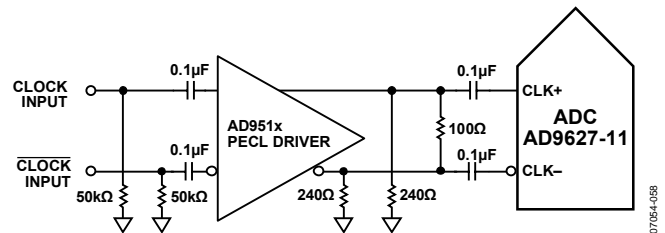


Figure 58. Differential PECL Sample Clock (Up to 625 MHz)

A third option is to ac-couple a differential LVDS signal to the sample clock input pins, as shown in Figure 59. The AD9510/AD9511/AD9512/AD9513/AD9514/AD9515/AD9516 clock drivers offer excellent jitter performance.

AD9627-11

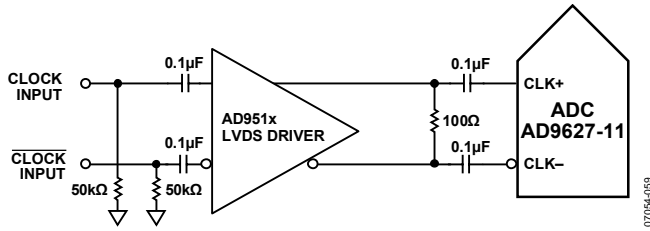
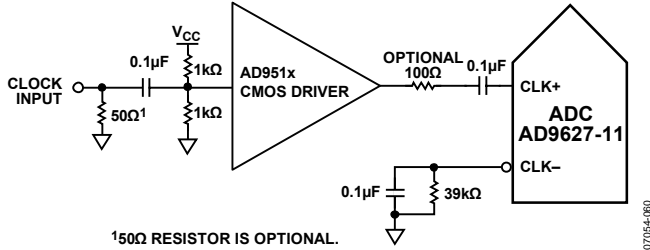


Figure 59. Differential LVDS Sample Clock (Up to 625 MHz)

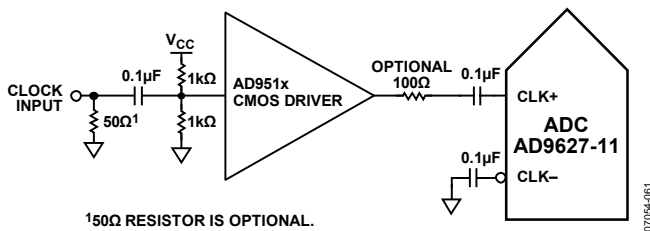
In some applications, it may be acceptable to drive the sample clock inputs with a single-ended CMOS signal. In such applications, the CLK+ pin should be driven directly from a CMOS gate, and the CLK- pin should be bypassed to ground with a 0.1 μF capacitor in parallel with a 39 kΩ resistor (see Figure 60).

CLK+ can be driven directly from a CMOS gate. Although the CLK+ input circuit supply is AVDD (1.8 V), this input is designed to withstand input voltages of up to 3.6 V, making the selection of the drive logic voltage very flexible.



150Ω RESISTOR IS OPTIONAL.

Figure 60. Single-Ended 1.8 V CMOS Sample Clock (Up to 150 MSPS)



150Ω RESISTOR IS OPTIONAL.

Figure 61. Single-Ended 3.3 V CMOS Sample Clock (Up to 150 MSPS)

Input Clock Divider

The AD9627-11 contains an input clock divider with the ability to divide the input clock by integer values between 1 and 8. If a divide ratio other than 1 is selected, the duty cycle stabilizer is automatically enabled.

The AD9627-11 clock divider can be synchronized using the external SYNC input. Bit 1 and Bit 2 of Register 0x100 allow the clock divider to be resynchronized on every SYNC signal or only on the first SYNC signal after the register is written. A valid SYNC causes the clock divider to reset to its initial state. This synchronization feature allows multiple parts to have their clock dividers aligned to guarantee simultaneous input sampling.

Clock Duty Cycle

Typical high speed ADCs use both clock edges to generate a variety of internal timing signals and, as a result, may be sensitive to clock duty cycle. Commonly, a ±5% tolerance is required on the clock duty cycle to maintain dynamic performance characteristics.

The AD9627-11 contains a duty cycle stabilizer (DCS) that retimes the nonsampling (falling) edge, providing an internal clock signal with a nominal 50% duty cycle. This allows the user to provide a wide range of clock input duty cycles without affecting the performance of the AD9627-11. Noise and distortion performance are nearly flat for a wide range of duty cycles with the DCS on, as shown in Figure 43.

Jitter in the rising edge of the input is still of paramount concern and is not easily reduced by the internal stabilization circuit. The duty cycle control loop does not function for clock rates less than 20 MHz nominally. The loop has a time constant associated with it that must be considered where the clock rate can change dynamically. A wait time of 1.5 μs to 5 μs is required after a dynamic clock frequency increase or decrease before the DCS loop is relocked to the input signal. During the time period that the loop is not locked, the DCS loop is bypassed, and internal device timing is dependent on the duty cycle of the input clock signal. In such applications, it may be appropriate to disable the duty cycle stabilizer. In all other applications, enabling the DCS circuit is recommended to maximize ac performance.

Jitter Considerations

High speed, high resolution ADCs are sensitive to the quality of the clock input. The degradation in SNR from the low frequency SNR (SNR_{LF}) at a given input frequency (f_{INPUT}) due to jitter (t_{JRMS}) can be calculated by

$$SNR_{HF} = -10 \log[(2\pi \times f_{INPUT} \times t_{J RMS})^2 + 10^{(-SNR_{LF}/10)}]$$

In the equation, the rms aperture jitter represents the clock input jitter specification. IF undersampling applications are particularly sensitive to jitter, as illustrated in Figure 62.

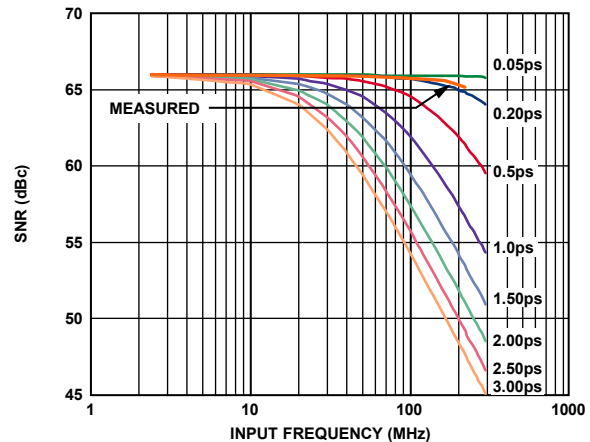


Figure 62. SNR vs. Input Frequency and Jitter

The clock input should be treated as an analog signal in cases where aperture jitter may affect the dynamic range of the AD9627-11. Power supplies for clock drivers should be separated from the ADC output driver supplies to avoid modulating the clock signal with digital noise. Low jitter, crystal-controlled oscillators make the best clock sources. If the clock is generated from another type of source (by gating, dividing, or some other method), it should be retimed by the original clock at the last step.

Refer to Application Note AN-501 and Application Note AN-756 (see www.analog.com) for more information about jitter performance as it relates to ADCs.

POWER DISSIPATION AND STANDBY MODE

As shown in Figure 63 and Figure 64, the power dissipated by the AD9627-11 is proportional to its sample rate. In CMOS output mode, the digital power dissipation is determined primarily by the strength of the digital drivers and the load on each output bit.

The maximum DRVDD current (I_{DRVDD}) can be calculated as

$$I_{DRVDD} = V_{DRVDD} \times C_{LOAD} \times f_{CLK} \times N$$

where N is the number of output bits (24, in the case of the AD9627-11, with the fast detect output pins disabled).

This maximum current occurs when every output bit switches on every clock cycle, that is, a full-scale square wave at the Nyquist frequency of $f_{CLK}/2$. In practice, the DRVDD current is established by the average number of output bits switching, which is determined by the sample rate and the characteristics of the analog input signal.

Reducing the capacitive load presented to the output drivers can minimize digital power consumption. The data in Figure 63 was taken using the same operating conditions as those used for the Typical Performance Characteristics, with a 5 pF load on each output driver.

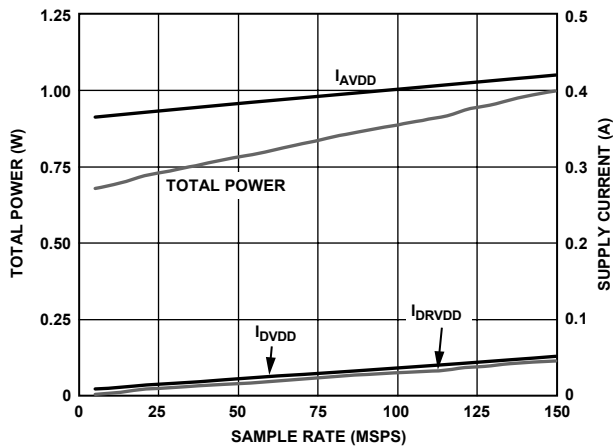


Figure 63. AD9627-11-150 Power and Current vs. Sample Rate

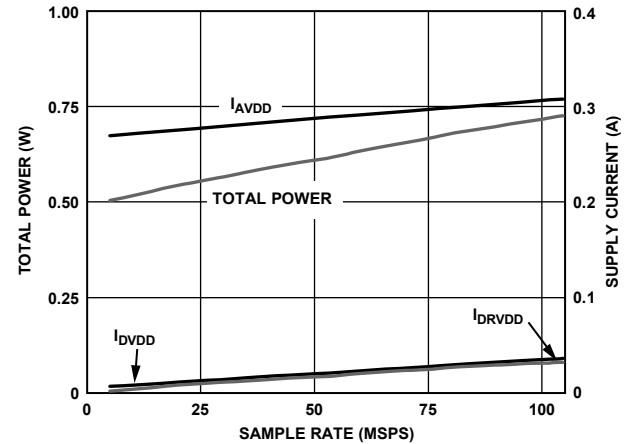


Figure 64. AD9627-11-105 Power and Current vs. Sample Rate

By asserting PDWN (either through the SPI port or by asserting the PDWN pin high), the AD9627-11 is placed in power-down mode. In this state, the ADC typically dissipates 2.5 mW. During power-down, the output drivers are placed in a high impedance state. Asserting the PDWN pin low returns the AD9627-11 to its normal operating mode. Note that PDWN is referenced to the digital output driver supply (DRVDD) and should not exceed that supply voltage.

Low power dissipation in power-down mode is achieved by shutting down the reference, reference buffer, biasing networks, and clock. Internal capacitors are discharged when entering power-down mode and then must be recharged when returning to normal operation. As a result, wake-up time is related to the time spent in power-down mode, and shorter power-down cycles result in proportionally shorter wake-up times.

When using the SPI port interface, the user can place the ADC in power-down mode or standby mode. Standby mode allows the user to keep the internal reference circuitry powered when faster wake-up times are required. See the Memory Map Register Description section for more details.

DIGITAL OUTPUTS

The AD9627-11 output drivers can be configured to interface with 1.8 V to 3.3 V CMOS logic families by matching DRVDD to the digital supply of the interfaced logic. The AD9627-11 can also be configured for LVDS outputs using a DRVDD supply voltage of 1.8 V.

In CMOS output mode, the output drivers are sized to provide sufficient output current to drive a wide variety of logic families. However, large drive currents tend to cause current glitches on the supplies that may affect converter performance.

Applications requiring the ADC to drive large capacitive loads or large fanouts may require external buffers or latches.

AD9627-11

The output data format can be selected for either offset binary or twos complement by setting the SCLK/DFS pin when operating in the external pin mode (see Table 12).

As detailed in Application Note AN-877, *Interfacing to High Speed ADCs via SPI*, the data format can be selected for offset binary, twos complement, or gray code when using the SPI control.

Table 12. SCLK/DFS Mode Selection (External Pin Mode)

| Voltage at Pin | SCLK/DFS | SDIO/DCS |
|----------------|-----------------|--------------|
| AGND (default) | Offset binary | DCS disabled |
| AVDD | Twos complement | DCS enabled |

Digital Output Enable Function (OEB)

The AD9627-11 has a flexible three-state ability for the digital output pins. The three-state mode is enabled using the SMI SDO/OEB pin or through the SPI interface. If the SMI SDO/OEB pin is low, the output data drivers are enabled. If the SMI SDO/OEB pin is high, the output data drivers are placed in a high impedance state. This OEB function is not intended for rapid access to the data bus. Note that OEB is referenced to the digital output driver supply (DRVDD) and should not exceed that supply voltage.

Table 13. Output Data Format

| Input (V) | Condition (V) | Offset Binary Output Mode | Twos Complement Mode | OR |
|-------------|-------------------|---------------------------|----------------------|----|
| VIN+ – VIN– | < –VREF – 0.5 LSB | 000 0000 0000 | 100 0000 0000 | 1 |
| VIN+ – VIN– | = –VREF | 000 0000 0000 | 100 0000 0000 | 0 |
| VIN+ – VIN– | = 0 | 100 0000 0000 | 000 0000 0000 | 0 |
| VIN+ – VIN– | = +VREF – 1.0 LSB | 111 1111 1111 | 011 1111 1111 | 0 |
| VIN+ – VIN– | > +VREF – 0.5 LSB | 111 1111 1111 | 011 1111 1111 | 1 |

When using the SPI interface, the data and fast detect outputs of each channel can be independently three-stated by using the output enable bar bit in Register 0x14.

TIMING

The AD9627-11 provides latched data with a pipeline delay of 12 clock cycles. Data outputs are available one propagation delay (t_{PD}) after the rising edge of the clock signal.

The length of the output data lines and loads placed on them should be minimized to reduce transients within the AD9627-11. These transients can degrade converter dynamic performance.

The lowest typical conversion rate of the AD9627-11 is 10 MSPS. At clock rates below 10 MSPS, dynamic performance can degrade.

Data Clock Output (DCO)

The AD9627-11 provides two data clock output (DCO) signals intended for capturing the data in an external register. The data outputs are valid on the rising edge of DCO, unless the DCO clock polarity has been changed via the SPI. See Figure 2 and Figure 3 for a graphical timing description.

ADC OVERRANGE AND GAIN CONTROL

In receiver applications, it is desirable to have a mechanism to reliably determine when the converter is about to be clipped. The standard overflow indicator provides after-the-fact information on the state of the analog input that is of limited usefulness. Therefore, it is helpful to have a programmable threshold below full scale that allows time to reduce the gain before the clip actually occurs. In addition, because input signals can have significant slew rates, latency of this function is of major concern. Highly pipelined converters can have significant latency. A good compromise is to use the output bits from the first stage of the ADC for this function. Latency for these output bits is very low, and overall resolution is not highly significant. Peak input signals are typically between full scale and 6 dB to 10 dB below full scale. A 3-bit or 4-bit output provides adequate range and resolution for this function.

Using the SPI port, the user can provide a threshold above which an overrange output is active. As long as the signal is below that threshold, the output should remain low. The fast detect outputs can also be programmed via the SPI port so that one of the pins functions as a traditional overrange pin for customers who currently use this feature. In this mode, all 11 bits of the converter are examined in the traditional manner, and the output is high for the condition normally defined as overflow. In either mode, the magnitude of the data is considered in the calculation of the condition (but the sign of the data is not considered). The threshold detection responds identically to positive and negative signals outside the desired range (magnitude).

FAST DETECT OVERVIEW

The AD9627-11 contains circuitry to facilitate fast overrange detection, allowing very flexible external gain control implementations. Each ADC has four fast detect (FD) output pins that are used to output information about the current state of the ADC input level. The function of these pins is programmable via the fast detect mode select bits and the fast detect enable bits in Register 0x104, allowing range information to be output from several points in the internal datapath. These output pins can also be set up to indicate the presence of overrange or underrange conditions, according to programmable threshold levels. Table 14 shows the six configurations available for the fast detect pins.

Table 14. Fast Detect Mode Select Bits Settings

| Fast Detect Mode Select Bits (Register 0x104[3:1]) | Information Presented on Fast Detect (FD) Pins of Each ADC ^{1, 2} | | | |
|--|--|-------|-------|-------|
| | FD[3] | FD[2] | FD[1] | FD[0] |
| 000 | ADC fast magnitude (see Table 15) | | | |
| 001 | ADC fast magnitude (see Table 16) | | | OR |
| 010 | ADC fast magnitude (see Table 17) | | OR | F_LT |
| 011 | ADC fast magnitude (see Table 17) | | C_UT | F_LT |
| 100 | OR | C_UT | F_UT | F_LT |
| 101 | OR | F_UT | IG | DG |

¹ The fast detect pins are FD0A/FD0B to FD9A/FD9B for the CMOS mode configuration and FD0+/FD0– to FD9+/FD9– for the LVDS mode configuration.

² See the ADC Overrange (OR) and Gain Switching sections for more information about OR, C_UT, F_UT, F_LT, IG, and DG.

ADC FAST MAGNITUDE

When the fast detect output pins are configured to output the ADC fast magnitude (that is, when the fast detect mode select bits are set to 0b000), the information presented is the ADC level from an early converter stage with a latency of only two clock cycles (when in CMOS output mode). Using the fast detect output pins in this configuration provides the earliest possible level indication information. Because this information is provided early in the datapath, there is significant uncertainty in the level indicated. The nominal levels, along with the uncertainty indicated by the ADC fast magnitude, are shown in Table 15.

Table 15. ADC Fast Magnitude Nominal Levels with Fast Detect Mode Select Bits = 000

| ADC Fast Magnitude on FD[3:0] Pins | Nominal Input Magnitude Below FS (dB) | Nominal Input Magnitude Uncertainty (dB) |
|------------------------------------|---------------------------------------|--|
| 0000 | <–24 | Minimum to –18.07 |
| 0001 | –24 to –14.5 | –30.14 to –12.04 |
| 0010 | –14.5 to –10 | –18.07 to –8.52 |
| 0011 | –10 to –7 | –12.04 to –6.02 |
| 0100 | –7 to –5 | –8.52 to –4.08 |
| 0101 | –5 to –3.25 | –6.02 to –2.5 |
| 0110 | –3.25 to –1.8 | –4.08 to –1.16 |
| 0111 | –1.8 to –0.56 | –2.5 to FS |
| 1000 | –0.56 to 0 | –1.16 to 0 |

AD9627-11

When the fast detect mode select bits are set to 0b001, 0b010, or 0b011, a subset of the fast detect output pins is available. In these modes, the fast detect output pins have a latency of six clock cycles. Table 16 shows the corresponding ADC input levels when the fast detect mode select bits are set to 0b001 (that is, when ADC fast magnitude is presented on the FD[3:1] pins).

Table 16. ADC Fast Magnitude Nominal Levels with Fast Detect Mode Select Bits = 001

| ADC Fast Magnitude on FD[3:1] Pins | Nominal Input Magnitude Below FS (dB) | Nominal Input Magnitude Uncertainty (dB) |
|------------------------------------|---------------------------------------|--|
| 000 | <-24 | Minimum to -18.07 |
| 001 | -24 to -14.5 | -30.14 to -12.04 |
| 010 | -14.5 to -10 | -18.07 to -8.52 |
| 011 | -10 to -7 | -12.04 to -6.02 |
| 100 | -7 to -5 | -8.52 to -4.08 |
| 101 | -5 to -3.25 | -6.02 to -2.5 |
| 110 | -3.25 to -1.8 | -4.08 to -1.16 |
| 111 | -1.8 to 0 | -2.5 to 0 |

When the fast detect mode select bits are set to 0b010 or 0b011 (that is, when ADC fast magnitude is presented on the FD[3:2] pins), the LSB is not provided. The input ranges for this mode are shown in Table 17.

Table 17. ADC Fast Magnitude Nominal Levels with Fast Detect Mode Select Bits = 010 or 011

| ADC Fast Magnitude on FD[2:1] Pins | Nominal Input Magnitude Below FS (dB) | Nominal Input Magnitude Uncertainty (dB) |
|------------------------------------|---------------------------------------|--|
| 00 | <-14.5 | Minimum to -12.04 |
| 01 | -14.5 to -7 | -18.07 to -6.02 |
| 10 | -7 to -3.25 | -8.52 to -2.5 |
| 11 | -3.25 to 0 | -4.08 to 0 |

ADC OVERRANGE (OR)

The ADC overrange indicator is asserted when an overrange is detected on the input of the ADC. The overrange condition is determined at the output of the ADC pipeline and, therefore, is subject to a latency of 12 ADC clock cycles. An overrange at the input is indicated by this bit 12 clock cycles after it occurs.

GAIN SWITCHING

The AD9627-11 includes circuitry that is useful in applications either where large dynamic ranges exist or where gain ranging converters are employed. This circuitry allows digital thresholds to be set such that an upper threshold and a lower threshold can be programmed. Fast detect mode select bit = 010 through fast detect mode select bit = 101 support various combinations of the gain switching options.

One such use is to detect when an ADC is about to reach full scale with a particular input condition. The result is to provide an indicator that can be used to quickly insert an attenuator that prevents ADC overdrive.

Coarse Upper Threshold (C_UT)

The coarse upper threshold indicator is asserted if the ADC fast magnitude input level is greater than the level programmed in the coarse upper threshold register (Address 0x105[2:0]). This value is compared with the ADC Fast Magnitude Bits[2:0]. The coarse upper threshold output is output two clock cycles after the level is exceeded at the input and, therefore, provides a fast indication of the input signal level. The coarse upper threshold levels are shown in Table 18. This indicator remains asserted for a minimum of two ADC clock cycles or until the signal drops below the threshold level.

Table 18. Coarse Upper Threshold Levels

| Coarse Upper Threshold Register 0x105[2:0] | C_UT Is Active When Signal Magnitude Below FS Is Greater Than (dB) |
|--|--|
| 000 | <-24 |
| 001 | -24 |
| 010 | -14.5 |
| 011 | -10 |
| 100 | -7 |
| 101 | -5 |
| 110 | -3.25 |
| 111 | -1.8 |

Fine Upper Threshold (F_UT)

The fine upper threshold indicator is asserted if the input magnitude exceeds the value programmed in the fine upper threshold register located in Register 0x106 and Register 0x107. The 13-bit threshold register is compared with the signal magnitude at the output of the ADC. This comparison is subject to the ADC clock latency but is accurate in terms of the converter resolution. The fine upper threshold magnitude is defined by the following equation:

$$dBFS = 20 \log(\text{Threshold Magnitude}/2^{13})$$

Fine Lower Threshold (F_LT)

The fine lower threshold indicator is asserted if the input magnitude is less than the value programmed in the fine lower threshold register located at Register 0x108 and Register 0x109. The fine lower threshold register is a 13-bit register that is compared with the signal magnitude at the output of the ADC. This comparison is subject to ADC clock latency but is accurate in terms of the converter resolution. The fine lower threshold magnitude is defined by the following equation:

$$dBFS = 20 \log(\text{Threshold Magnitude}/2^{13})$$

The operation of the fine upper threshold and fine lower threshold indicators is shown in Figure 65.

Increment Gain (IG) and Decrement Gain (DG)

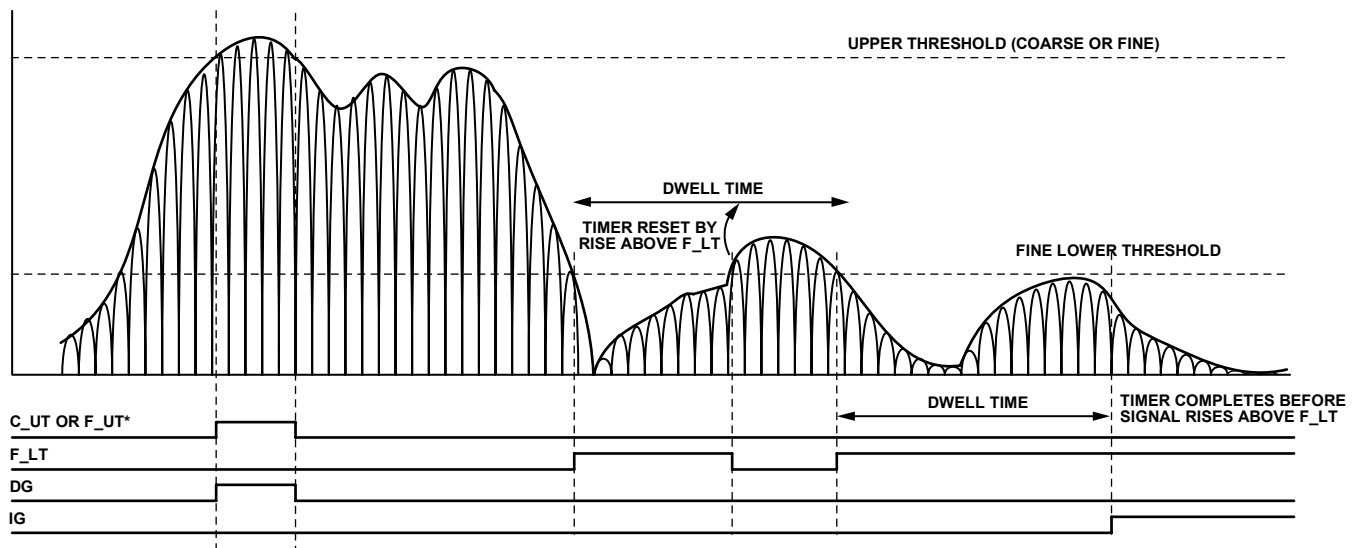
The increment gain and decrement gain indicators are intended to be used together to provide information to enable external gain control. The decrement gain indicator works in conjunction with the coarse upper threshold bits, asserting when the input magnitude is greater than the 3-bit value in the coarse upper threshold register (Address 0x105). The increment gain indicator, similarly, corresponds to the fine lower threshold bits, except that it is asserted only if the input magnitude is less than the value programmed in the fine lower threshold register after the dwell time elapses. The dwell time is set by the 16-bit dwell time value located at Address 0x10A and Address 0x10B and is set in units of ADC input clock cycles ranging from 1 to 65,535. The fine lower threshold register is a 13-bit register that is compared with the magnitude at the output of the ADC.

This comparison is subject to the ADC clock latency but allows a finer, more accurate comparison. The fine upper threshold magnitude is defined by the following equation:

$$dBFS = 20 \log(\text{Threshold Magnitude}/213)$$

The decrement gain output works from the ADC fast detect output pins, providing a fast indication of potential overrange conditions. The increment gain uses the comparison at the output of the ADC, requiring the input magnitude to remain below an accurate, programmable level for a predefined period before signaling external circuitry to increase the gain.

The operation of the increment gain output and the decrement gain output is shown in Figure 65.



*C_UT AND F_UT DIFFER ONLY IN ACCURACY AND LATENCY.

NOTE: OUTPUTS FOLLOW THE INSTANTANEOUS SIGNAL LEVEL AND NOT THE ENVELOPE BUT ARE GUARANTEED ACTIVE FOR A MINIMUM OF 2 ADC CLOCK CYCLES.

Figure 65. Threshold Settings for C_UT, F_UT, IG, DG, and F_LT

07054-005

SIGNAL MONITOR

The signal monitor block provides additional information about the signal being digitized by the ADC. The signal monitor computes the rms input magnitude, the peak magnitude, and/or the number of samples by which the magnitude exceeds a particular threshold. Together, these functions can be used to gain insight into the signal characteristics and to estimate the peak/average ratio or even the shape of the complementary cumulative distribution function (CCDF) curve of the input signal. This information can be used to drive an AGC loop to optimize the range of the ADC in the presence of real-world signals.

The signal monitor result values can be obtained from the part by reading back internal registers at Address 0x116 to Address 0x11B, using the SPI port or the signal monitor SPORT output. The output contents of the SPI-accessible signal monitor registers are set via the two signal monitor mode bits of the signal monitor control register. Both ADC channels must be configured for the same signal monitor mode. Separate SPI-accessible, 20-bit signal monitor result (SMR) registers are provided for each ADC channel. Any combination of the signal monitor functions can also be output to the user via the serial SPORT interface. These outputs are enabled using the peak detector output enable, the rms magnitude output enable, and the threshold crossing output enable bits in the signal monitor SPORT control register.

For each signal monitor measurement, a programmable signal monitor period register (SMPR) controls the duration of the measurement. This time period is programmed as the number of input clock cycles in a 24-bit signal monitor period register located at Address 0x113, Address 0x114, and Address 0x115. This register can be programmed with a period from 128 samples to 16.78 (2^{24}) million samples.

Because the dc offset of the ADC can be significantly larger than the signal of interest (affecting the results from the signal monitor), a dc correction circuit is included as part of the signal monitor block to null the dc offset before measuring the power.

PEAK DETECTOR MODE

The magnitude of the input port signal is monitored over a programmable time period (determined by SMPR) to give the peak value detected. This function is enabled by programming a Logic 1 in the signal monitor mode bits of the signal monitor control register or by setting the peak detector output enable bit in the signal monitor SPORT control register. The 24-bit SMPR must be programmed before activating this mode.

After enabling this mode, the value in the SMPR is loaded into a monitor period timer and the countdown is started. The magnitude of the input signal is compared with the value in the internal peak level holding register (not accessible to the user), and the greater of the two is updated as the current peak level. The initial value of the peak level holding register is set to the current ADC input signal magnitude. This comparison continues until the monitor period timer reaches a count of 1.

When the monitor period timer reaches a count of 1, the 13-bit peak level value is transferred to the signal monitor holding register (not accessible to the user), which can be read through the SPI port or output through the SPORT serial interface. The monitor period timer is reloaded with the value in the SMPR, and the countdown is restarted. In addition, the magnitude of the first input sample is updated in the peak level holding register, and the comparison and update procedure, as explained previously, continues.

Figure 66 is a block diagram of the peak detector logic. The SMR register contains the absolute magnitude of the peak detected by the peak detector logic.

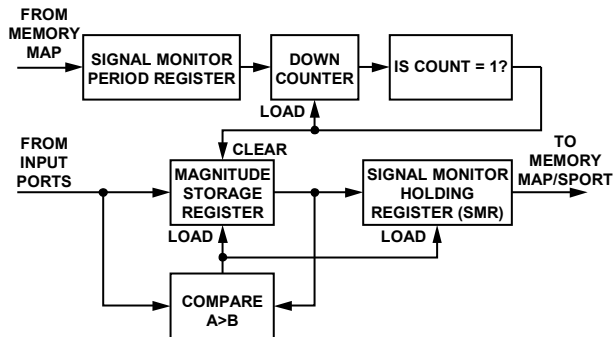


Figure 66. ADC Input Peak Detector Block Diagram

RMS/MS MAGNITUDE MODE

In this mode, the root-mean-square (rms) or mean-square (ms) magnitude of the input port signal is integrated (by adding an accumulator) over a programmable time period (determined by SMPR) to give the rms or ms magnitude of the input signal. This mode is set by programming Logic 0 in the signal monitor mode bits of the signal monitor control register or by setting the rms magnitude output enable bit in the signal monitor SPORT control register. The 24-bit SMPR, representing the period over which integration is performed, must be programmed before activating this mode.

After enabling the rms/ms magnitude mode, the value in the SMPR is loaded into a monitor period timer, and the countdown is started immediately. Each input sample is converted to floating-point format and squared. It is then converted to 11-bit, fixed-point format and added to the contents of the 24-bit accumulator. The integration continues until the monitor period timer reaches a count of 1.

When the monitor period timer reaches a count of 1, the square root of the value in the accumulator is taken and transferred, after some formatting, to the signal monitor holding register, which can be read through the SPI port or output through the SPORT serial port. The monitor period timer is reloaded with the value in the SMPR, and the countdown is restarted. In addition, the first input sample signal power is updated in the accumulator, and the accumulation continues with the subsequent input samples.

Figure 67 illustrates the rms magnitude monitoring logic.

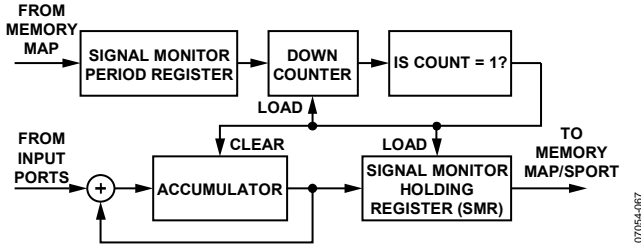


Figure 67. ADC Input RMS Magnitude Monitoring Block Diagram

For rms magnitude mode, the value in the signal monitoring result (SMR) register is a 20-bit fixed-point number. The following equation can be used to determine the rms magnitude in dBFS from the MAG value in the register. Note that if the signal monitor period (SMP) is a power of 2, the second term in the equation becomes 0.

$$\text{RMS Magnitude} = 20 \log \left(\frac{\text{MAG}}{2^{20}} \right) - 10 \log \left[\frac{\text{SMP}}{2^{\text{ceil}[\log_2(\text{SMP})]}} \right]$$

For ms magnitude mode, the value in the SMR is a 20-bit fixed-point number. The following equation can be used to determine the ms magnitude in dBFS from the MAG value in the register. Note that if the SMP is a power of 2, the second term in the equation becomes 0.

$$\text{MS Magnitude} = 10 \log \left(\frac{\text{MAG}}{2^{20}} \right) - 10 \log \left[\frac{\text{SMP}}{2^{\text{ceil}[\log_2(\text{SMP})]}} \right]$$

THRESHOLD CROSSING MODE

In the threshold crossing mode of operation, the magnitude of the input port signal is monitored over a programmable time period (given by SMPR) to count the number of times it crosses a certain programmable threshold value. This mode is set by programming Logic 1x (where x is a don't care bit) in the power monitor mode bits of the signal monitor control register or by setting the threshold crossing output enable bit in the signal monitor SPORT control register. Before activating this mode, the user needs to program the 24-bit SMPR and the 13-bit upper threshold register for each individual input port. The same upper threshold register is used for both signal monitoring and gain control (see the ADC Overrange and Gain Control section).

After entering this mode, the value in the SMPR is loaded into a monitor period timer, and the countdown is started. The magnitude of the input signal is compared with the upper threshold register (programmed previously) on each input clock cycle. If the input signal has a magnitude greater than the upper threshold register, the internal count register is incremented by 1.

The initial value of the internal count register is set to 0. This comparison and incrementing of the internal count register continues until the monitor period timer reaches a count of 1.

When the monitor period timer reaches a count of 1, the value in the internal count register is transferred to the signal monitor holding register, which can be read through the SPI port or output through the SPORT serial port.

The monitor period timer is reloaded with the value in the SMPR register, and the countdown is restarted. The internal count register is also cleared to a value of 0. Figure 68 illustrates the threshold crossing logic. The value in the SMR register is the number of samples that have a magnitude greater than the threshold register.

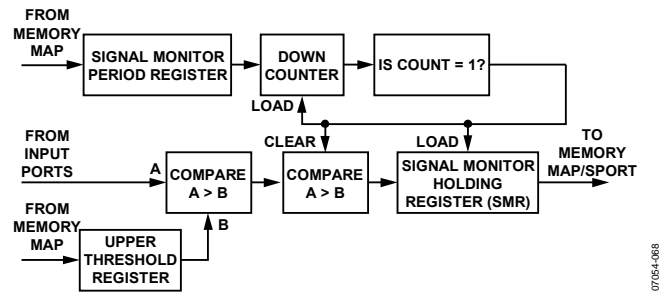


Figure 68. ADC Input Threshold Crossing Block Diagram

ADDITIONAL CONTROL BITS

For additional flexibility in the signal monitoring process, two control bits are provided in the signal monitor control register. They are the signal monitor enable bit and the complex power calculation mode enable bit.

Signal Monitor Enable Bit

The signal monitor enable bit, located in Bit 0 of Register 0x112, enables operation of the signal monitor block. If the signal monitor function is not needed in a particular application, this bit should be cleared (default) to conserve power.

Complex Power Calculation Mode Enable Bit

When this bit is set, the part assumes that Channel A is digitizing the I data and Channel B is digitizing the Q data for a complex input signal (or vice versa). In this mode, the power reported is equal to

$$\sqrt{I^2 + Q^2}$$

This result is presented in the Signal Monitor DC Value Channel A register if the signal monitor mode bits are set to 00. The Signal Monitor DC Value Channel B register continues to compute the Channel B value.

DC CORRECTION

Because the dc offset of the ADC may be significantly larger than the signal being measured, a dc correction circuit is included to null the dc offset before measuring the power. The dc correction circuit can also be switched into the main signal path, but this may not be appropriate if the ADC is digitizing a time-varying signal with significant dc content, such as GSM.

DC Correction Bandwidth

The dc correction circuit is a high-pass filter with a programmable bandwidth (ranging between 0.15 Hz and 1.2 kHz at 125 MSPS). The bandwidth is controlled by writing the 4-bit dc correction register located at Register 0x10C, Bits[5:2].

The following equation can be used to compute the bandwidth value for the dc correction circuit:

$$DC_Corr_BW = 2^{-k-14} \times \frac{f_{CLK}}{2 \times \pi}$$

where:

k is the 4-bit value programmed in Register 0x10C, Bits[5:2] (values between 0 and 13 are valid for k ; programming 14 or 15 provides the same result as programming 13).
 f_{CLK} is the AD9627-11 ADC sample rate in hertz (Hz).

DC Correction Readback

The current dc correction value can be read back in Register 0x10D and Register 0x10E for Channel A and Register 0x10F and Register 0x110 for Channel B. The dc correction value is an 11-bit value that can span the entire input range of the ADC.

DC Correction Freeze

Setting Bit 6 of Register 0x10C freezes the dc correction at its current state and continues to use the last updated value as the dc correction value. Clearing this bit restarts dc correction and adds the currently calculated value to the data.

DC Correction Enable Bits

Setting Bit 0 of Register 0x10C enables dc correction for use in the signal monitor calculations. The calculated dc correction value can be added to the output data signal path by setting Bit 1 of Register 0x10C.

SIGNAL MONITOR SPORT OUTPUT

The SPORT is a serial interface with three output pins: SMI SCLK (SPORT clock), SMI SDFS (SPORT frame sync) and SMI SDO (SPORT data output). The SPORT is the master and drives all three SPORT output pins on the chip.

SMI SCLK

The data and frame sync are driven on the positive edge of the SMI SCLK. The SMI SCLK has three possible baud rates: 1/2, 1/4, or 1/8 the ADC clock rate, based on the SPORT controls. The SMI SCLK can also be gated off when not sending any data by using the SPORT SMI SCLK sleep bit. Using this bit to disable the SMI SCLK when it is not needed can reduce any coupling errors back into the signal path, if these prove to be a problem in the system. Doing so, however, has the disadvantage of spreading the frequency content of the clock. If desired, the SMI SCLK can be left running to ease frequency planning.

SMI SDFS

The SMI SDFS is the serial data frame sync, and it defines the start of a frame. One SPORT frame includes data from both datapaths. The data from Datapath A is sent just after the frame sync, followed by data from Datapath B.

SMI SDO

The SMI SDO is the serial data output of the block. The data is sent MSB first on the next positive edge after the SMI SDFS. Each data output block includes one or more rms magnitude, peak level, and threshold crossing values from each datapath in the stated order. If enabled, the data is sent, rms first, followed by peak and threshold, as shown in Figure 69.

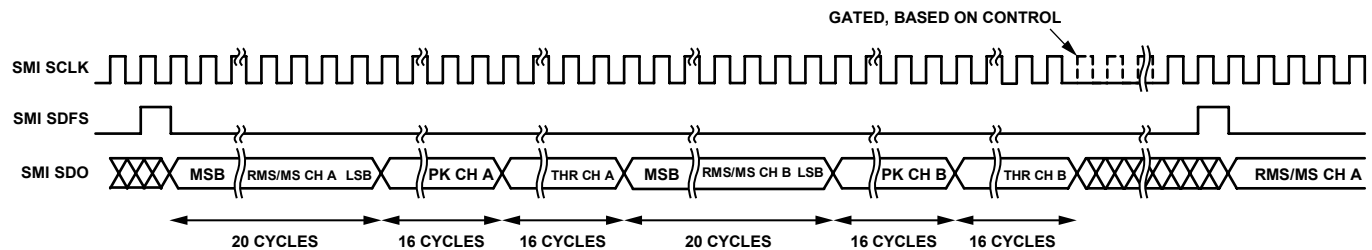


Figure 69. Signal Monitor SPORT Output Timing (RMS, Peak, and Threshold Enabled)

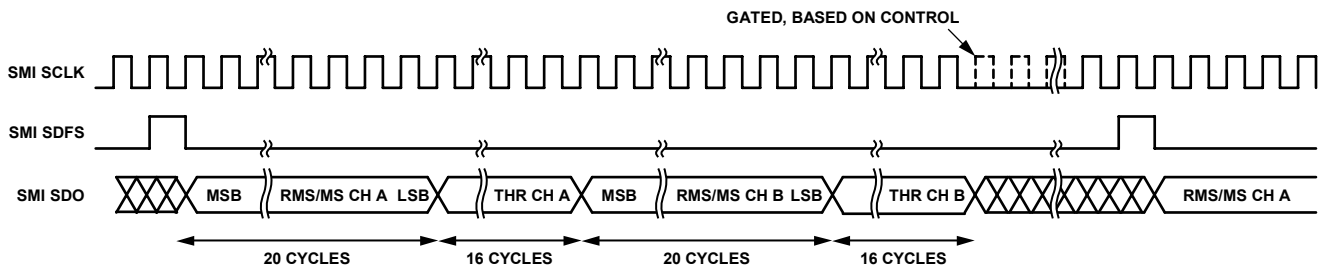


Figure 70. Signal Monitor SPORT Output Timing (RMS and Threshold Enabled)

BUILT-IN SELF-TEST (BIST) AND OUTPUT TEST

The AD9627-11 includes built-in test features designed to enable verification of the integrity of each channel as well as facilitate board level debugging. A BIST (built-in self-test) feature is included that verifies the integrity of the digital datapath of the AD9627-11. Various output test options are also provided to place predictable values on the outputs of the AD9627-11.

BUILT-IN SELF-TEST (BIST)

The BIST is a thorough test of the digital portion of the selected AD9627-11 signal path. When enabled, the test runs from an internal pseudorandom noise (PN) source through the digital datapath, starting at the ADC block output. The BIST sequence runs for 512 cycles and then stops. The BIST signature value for Channel A or Channel B is placed in Register 0x24 and Register 0x25. If one channel is chosen, its BIST signature is written to the two registers. If both channels are chosen, the results from Channel A are placed in the BIST signature registers.

The outputs are not disconnected during this test, so the PN sequence can be observed as it runs. The PN sequence can be continued from its last value or reset from the beginning, based on the value programmed in Register 0x0E, Bit 2. The BIST signature result varies based on the channel configuration.

OUTPUT TEST MODES

The output test options are shown in Table 22. When an output test mode is enabled, the analog section of the ADC is disconnected from the digital back end blocks and the test pattern is run through the output formatting block. Some of the test patterns are subject to output formatting, and some are not. The seed value for the PN sequence tests can be forced if the PN reset bits are used to hold the generator in reset mode by setting Bit 4 or Bit 5 of Register 0x0D. These tests can be performed with or without an analog signal (if present, the analog signal is ignored), but they do require an encode clock. For more information, see Application Note AN-877, *Interfacing to High Speed ADCs via SPI*.

CHANNEL/CHIP SYNCHRONIZATION

The AD9627-11 has a SYNC input that offers the user flexible synchronization options for synchronizing the internal blocks. The clock divider sync feature is useful for guaranteeing synchronized sample clocks across multiple ADCs. The signal monitor block can also be synchronized using the SYNC input, allowing properties of the input signal to be measured during a specific time period. The input clock divider can be enabled to synchronize on a single occurrence of the SYNC signal or on every occurrence. The signal monitor block is synchronized on every SYNC input signal.

The SYNC input is internally synchronized to the sample clock; however, to ensure there is no timing uncertainty between multiple parts, the SYNC input signal should be externally synchronized to the input clock signal, meeting the setup and hold times shown in Table 5. The SYNC input should be driven using a single-ended CMOS-type signal.

SERIAL PORT INTERFACE (SPI)

The AD9627-11 serial port interface (SPI) allows the user to configure the converter for specific functions or operations through a structured register space provided inside the ADC. The SPI gives the user added flexibility and customization, depending on the application. Addresses are accessed via the serial port and can be written to or read from via the port. Memory is organized into bytes that can be further divided into fields, which are documented in the Memory Map section. For detailed operational information, see Application Note AN-877, *Interfacing to High Speed ADCs via SPI*.

CONFIGURATION USING THE SPI

Three pins define the SPI of this ADC: the SCLK/DFS pin, the SDIO/DCS pin, and the CSB pin (see Table 19). The SCLK/DFS (a serial clock) is used to synchronize the read and write data presented from and to the ADC. The SDIO/DCS (serial data input/output) is a dual-purpose pin that allows data to be sent and read from the internal ADC memory map registers. The CSB (chip select bar) is an active-low control that enables or disables the read and write cycles.

Table 19. Serial Port Interface Pins

| Pin | Function |
|------|---|
| SCLK | Serial Clock. The serial shift clock input, which is used to synchronize serial interface reads and writes. |
| SDIO | Serial Data Input/Output. A dual-purpose pin that typically serves as an input or an output, depending on the instruction being sent and the relative position in the timing frame. |
| CSB | Chip Select Bar. An active-low control that gates the read and write cycles. |

The falling edge of the CSB, in conjunction with the rising edge of the SCLK, determines the start of the framing. An example of the serial timing and its definitions can be found in Figure 71 and Table 5.

Other modes involving the CSB are available. The CSB can be held low indefinitely, which permanently enables the device; this is called streaming. The CSB can stall high between bytes to allow for additional external timing. When CSB is tied high, SPI functions are placed in high impedance mode. This mode turns on any SPI pin secondary functions.

During an instruction phase, a 16-bit instruction is transmitted. Data follows the instruction phase, and its length is determined by the W0 and W1 bits.

All data is composed of 8-bit words. The first bit of each individual byte of serial data indicates whether a read command or a write command is issued. This allows the serial data input/output (SDIO) pin to change direction from an input to an output.

In addition to word length, the instruction phase determines whether the serial frame is a read or write operation, allowing the serial port to be used both to program the chip and to read the contents of the on-chip memory. If the instruction is a readback operation, performing a readback causes the serial data input/output (SDIO) pin to change direction from an input to an output at the appropriate point in the serial frame.

Data can be sent in MSB-first mode or in LSB-first mode. MSB first is the default on power-up and can be changed via the SPI port configuration register. For more information about this and other features, see Application Note AN-877, *Interfacing to High Speed ADCs via SPI*.

HARDWARE INTERFACE

The pins described in Table 19 comprise the physical interface between the user programming device and the serial port of the AD9627-11. The SCLK pin and the CSB pin function as inputs when using the SPI interface. The SDIO pin is bidirectional, functioning as an input during write phases and as an output during readback.

The SPI interface is flexible enough to be controlled by either FPGAs or microcontrollers. One method for SPI configuration is described in detail in Application Note AN-812, *Microcontroller-Based Serial Port Interface (SPI) Boot Circuit*.

The SPI port should not be active during periods when the full dynamic performance of the converter is required. Because the SCLK signal, the CSB signal, and the SDIO signal are typically asynchronous to the ADC clock, noise from these signals can degrade converter performance. If the on-board SPI bus is used for other devices, it may be necessary to provide buffers between this bus and the AD9627-11 to prevent these signals from transitioning at the converter inputs during critical sampling periods.

Some pins serve a dual function when the SPI interface is not being used. When the pins are strapped to AVDD or ground during device power-on, they are associated with a specific function. The Digital Outputs section describes the strappable functions supported on the AD9627-11.

CONFIGURATION WITHOUT THE SPI

In applications that do not interface to the SPI control registers, the SDIO/DCS pin, the SCLK/DFS pin, the SMI SDO/OEB pin, and the SMI SCLK/PDWN pin serve as standalone CMOS-compatible control pins. When the device is powered up, it is assumed that the user intends to use the pins as static control lines for the duty cycle stabilizer, output data format, output enable, and power-down feature control. In this mode, the CSB chip select should be connected to AVDD, which disables the serial port interface.

Table 20. Mode Selection

| Pin | External Voltage | Configuration |
|---------------|------------------|--------------------------------|
| SDIO/DCS | AVDD (default) | Duty cycle stabilizer enabled |
| | AGND | Duty cycle stabilizer disabled |
| SCLK/DFS | AVDD | Twos complement enabled |
| | AGND (default) | Offset binary enabled |
| SMI SDO/OEB | AVDD | Outputs in high impedance |
| | AGND (default) | Outputs enabled |
| SMI SCLK/PDWN | AVDD | Chip in power-down or standby |
| | AGND (default) | Normal operation |

SPI ACCESSIBLE FEATURES

Table 21 provides a brief description of the general features that are accessible via the SPI. These features are described in detail in Application Note AN-877, *Interfacing to High Speed ADCs via SPI*. The AD9627-11 part-specific features are described in detail following Table 22, the external memory map register table.

Table 21. Features Accessible Using the SPI

| Feature Name | Description |
|--------------|---|
| Mode | Allows the user to set either power-down mode or standby mode |
| Clock | Allows the user to access the DCS via the SPI |
| Offset | Allows the user to digitally adjust the converter offset |
| Test I/O | Allows the user to set test modes to have known data on output bits |
| Output Mode | Allows the user to set up outputs |
| Output Phase | Allows the user to set the output clock polarity |
| Output Delay | Allows the user to vary the DCO delay |
| VREF | Allows the user to set the reference voltage |

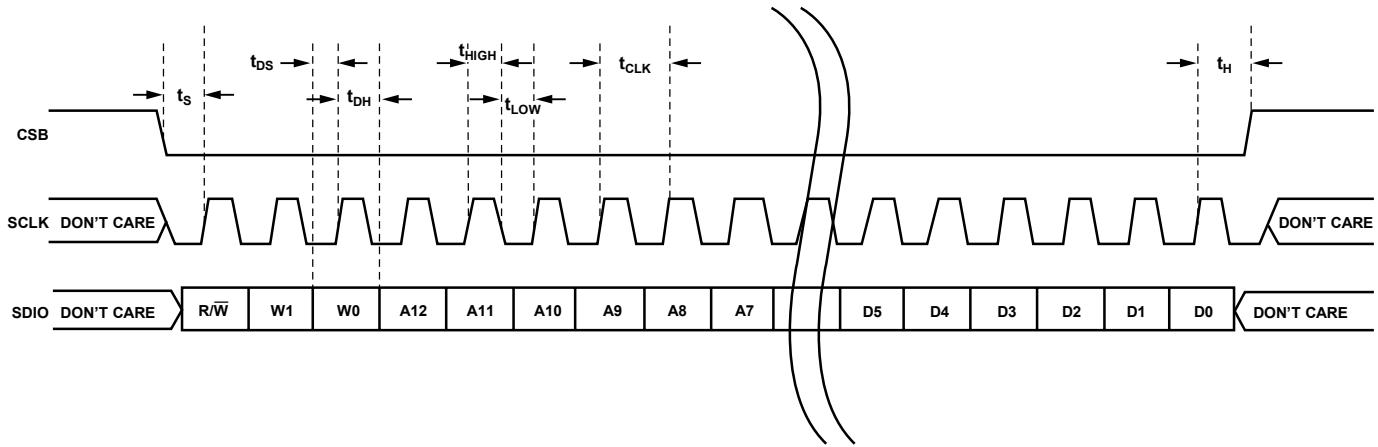


Figure 71. Serial Port Interface Timing Diagram

07054-071

MEMORY MAP

READING THE MEMORY MAP REGISTER TABLE

Each row in the memory map register table has eight bit locations. The memory map is roughly divided into four sections: the chip configuration registers (Address 0x00 to Address 0x02); the channel index and transfer registers (Address 0x05 and Address 0xFF); the ADC functions registers, including setup, control, and test (Address 0x08 to Address 0x25); and the digital feature control registers (Address 0x100 to Address 0x11B).

The memory map register table (see Table 22) documents the default hexadecimal value for each hexadecimal address shown. The column with the heading Bit 7 (MSB) is the start of the default hexadecimal value given. For example, Address 0x18, the VREF select register, has a hexadecimal default value of 0xC0. This means that Bit 7 = 1, Bit 6 = 1, and the remaining bits are 0s. This setting is the default reference selection setting. The default value uses a 2.0 V p-p reference. For more information on this function and others, see Application Note AN-877, *Interfacing to High Speed ADCs via SPI*. This document details the functions controlled by Register 0x00 to Register 0xFF. The remaining registers, from Register 0x100 to Register 0x11B, are documented in the Memory Map Register Description section.

Open Locations

All address and bit locations that are not included in Table 22 are not currently supported for this device. Unused bits of a valid address location should be written with 0s. Writing to these locations is required only when part of an address location is open (for example, Address 0x18). If the entire address location is open (for example, Address 0x13), this address location should not be written.

Default Values

After the AD9627-11 is reset, critical registers are loaded with default values. The default values for the registers are given in the memory map register table, Table 22.

Logic Levels

An explanation of logic level terminology follows:

- “Bit is set” is synonymous with “bit is set to Logic 1” or “writing Logic 1 for the bit.”
- “Clear a bit” is synonymous with “bit is set to Logic 0” or “writing Logic 0 for the bit.”

Transfer Register Map

Address 0x08 to Address 0x18 are shadowed. Writes to these addresses do not affect part operation until a transfer command is issued by writing 0x01 to Address 0xFF, setting the transfer bit. This allows these registers to be updated internally and simultaneously when the transfer bit is set. The internal update takes place when the transfer bit is set, and the bit aut clears.

Channel-Specific Registers

Some channel setup functions, such as the signal monitor thresholds, can be programmed differently for each channel. In these cases, channel address locations are internally duplicated for each channel. These registers and bits are designated in Table 22 as local. These local registers and bits can be accessed by setting the appropriate Channel A or Channel B bits in Register 0x05.

If both bits are set, the subsequent write affects the registers of both channels. In a read cycle, only Channel A or Channel B should be set to read one of the two registers. If both bits are set during an SPI read cycle, the part returns the value for Channel A. Registers and bits designated as global in Table 22 affect the entire part or the channel features where independent settings are not allowed between channels. The settings in Register 0x05 do not affect the global registers and bits.

AD9627-11

MEMORY MAP REGISTER TABLE

All address and bit locations that are not included in Table 22 are not currently supported for this device.

Table 22. Memory Map Registers

| Addr (Hex) | Register Name | Bit 7 (MSB) | Bit 6 | Bit 5 | Bit 4 | Bit 3 | Bit 2 | Bit 1 | Bit 0 (LSB) | Default Value (Hex) | Default Notes/ Comments |
|---|---------------------------------|---|-----------|---|---------------|-------|--|--|---------------------------------|---------------------|---|
| Chip Configuration Registers | | | | | | | | | | | |
| 0x00 | SPI Port Configuration (Global) | 0 | LSB first | Soft reset | 1 | 1 | Soft reset | LSB first | 0 | 0x18 | The nibbles are mirrored so that LSB-first mode or MSB-first mode registers correctly, regardless of shift mode |
| 0x01 | Chip ID (Global) | 8-bit Chip ID[7:0] (AD9627-11 = 0x20) (default) | | | | | | | | 0x20 | Read only |
| 0x02 | Chip Grade (Global) | Open | Open | Speed grade ID 00 = 150 MSPS 10 = 105 MSPS | Open | Open | Open | Open | Open | | Speed grade ID used to differentiate devices; read only |
| Channel Index and Transfer Registers | | | | | | | | | | | |
| 0x05 | Channel Index | Open | Open | Open | Open | Open | Open | Data Channel B (default) | Data Channel A (default) | 0x03 | Bits are set to determine which device on the chip receives the next write command; applies to local registers only |
| 0xFF | Transfer | Open | Open | Open | Open | Open | Open | Open | Transfer | 0x00 | Synchronously transfers data from the master shift register to the slave |
| ADC Functions | | | | | | | | | | | |
| 0x08 | Power Modes | Open | Open | External power-down pin function (global) 0 = pdwn 1 = stndby | Open | Open | Open | Internal power-down mode (local) 00 = normal operation 01 = full power-down 10 = standby 11 = normal operation | | 0x00 | Determines various generic modes of chip operation |
| 0x09 | Global Clock (Global) | Open | Open | Open | Open | Open | Open | Open | Duty cycle stabilizer (default) | 0x01 | |
| 0x0B | Clock Divide (Global) | Open | Open | Open | Open | Open | Clock divide ratio 000 = divide by 1 001 = divide by 2 010 = divide by 3 011 = divide by 4 100 = divide by 5 101 = divide by 6 110 = divide by 7 111 = divide by 8 | | | 0x00 | Clock divide values other than 000 automatically cause the duty cycle stabilizer to become active |
| 0x0D | Test Mode (Local) | Open | Open | Reset PN23 gen | Reset PN9 gen | Open | Output test mode 000 = off (default) 001 = midscale short 010 = positive FS 011 = negative FS 100 = alternating checkerboard 101 = PN 23 sequence 110 = PN 9 sequence 111 = one/zero word toggle | | | 0x00 | When this register is set, the test data is placed on the output pins in place of normal data |

| Addr (Hex) | Register Name | Bit 7 (MSB) | Bit 6 | Bit 5 | Bit 4 | Bit 3 | Bit 2 | Bit 1 | Bit 0 (LSB) | Default Value (Hex) | Default Notes/ Comments |
|--------------------------------|---|---|--|--|---|------------------------------|---|--|--------------------|---------------------|---|
| 0x0E | BIST Enable (Local) | Open | Open | Open | Open | Open | Reset BIST sequence | Open | BIST enable | 0x00 | |
| 0x10 | Offset Adjust (Local) | Open | Open | Offset adjust in LSBs from +31 to -32 (twos complement format) | | | | | | 0x00 | |
| 0x14 | Output Mode | Drive strength 0V to 3.3V CMOS or ANSI LVDS; 1V to 1.8V CMOS or reduced LVDS (global) | Output type 0 = CMOS 1 = LVDS (global) | Open | Output enable bar (local) | Open | Output invert (local) | 00 = offset binary 01 = twos complement 10 = gray code 11 = offset binary (local) | | 0x00 | Configures the outputs and the format of the data |
| 0x16 | Clock Phase Control (Global) | Invert DCO clock | Open | Open | Open | Open | Input clock divider phase adjust 000 = no delay 001 = 1 input clock cycle 010 = 2 input clock cycles 011 = 3 input clock cycles 100 = 4 input clock cycles 101 = 5 input clock cycles 110 = 6 input clock cycles 111 = 7 input clock cycles | | | 0x00 | Allows selection of clock delays into the input clock divider |
| 0x17 | DCO Output Delay (Global) | Open | Open | Open | DCO clock delay (delay = 2500 ps × register value/31) 00000 = 0 ps 00001 = 81 ps 00010 = 161 ps ... 11110 = 2419 ps 11111 = 2500 ps | | | | 0x00 | | |
| 0x18 | VREF Select (Global) | Reference voltage selection 00 = 1.25 V p-p 01 = 1.5 V p-p 10 = 1.75 V p-p 11 = 2.0 V p-p (default) | | Open | Open | Open | Open | Open | Open | 0xC0 | |
| 0x24 | BIST Signature LSB (Local) | BIST Signature[7:0] | | | | | | | | 0x00 | Read only |
| 0x25 | BIST Signature MSB (Local) | BIST Signature[15:8] | | | | | | | | 0x00 | Read only |
| Digital Feature Control | | | | | | | | | | | |
| 0x100 | Sync Control (Global) | Signal monitor sync enable | Open | Open | Open | Open | Clock divider next sync only | Clock divider sync enable | Master sync enable | 0x00 | |
| 0x104 | Fast Detect Control (Local) | Open | Open | Open | Open | Fast Detect Mode Select[2:0] | | | Fast detect enable | 0x00 | |
| 0x105 | Coarse Upper Threshold (Local) | Open | Open | Open | Open | Open | Coarse Upper Threshold[2:0] | | | 0x00 | |
| 0x106 | Fine Upper Threshold Register 0 (Local) | Fine Upper Threshold[7:0] | | | | | | | | 0x00 | |
| 0x107 | Fine Upper Threshold Register 1 (Local) | Open | Open | Open | Fine Upper Threshold[12:8] | | | | | 0x00 | |
| 0x108 | Fine Lower Threshold Register 0 (Local) | Fine Lower Threshold[7:0] | | | | | | | | 0x00 | |

AD9627-11

| Addr (Hex) | Register Name | Bit 7 (MSB) | Bit 6 | Bit 5 | Bit 4 | Bit 3 | Bit 2 | Bit 1 | Bit 0 (LSB) | Default Value (Hex) | Default Notes/Comments | |
|------------|---|---------------------------------------|--------------------------------|------------------------------|----------------------------------|---|--|---|------------------------------------|---------------------|------------------------|-----------|
| 0x109 | Fine Lower Threshold Register 1 (Local) | Open | Open | Open | Fine Lower Threshold[12:8] | | | | | 0x00 | | |
| 0x10A | Increase Gain Dwell Time Register 0 (Local) | Increase Gain Dwell Time[7:0] | | | | | | | | 0x00 | In ADC clock cycles | |
| 0x10B | Increase Gain Dwell Time Register 1 (Local) | Increase Gain Dwell Time[15:8] | | | | | | | | 0x00 | In ADC clock cycles | |
| 0x10C | Signal Monitor DC Correction Control (Global) | Open | DC correction freeze | DC Correction Bandwidth[3:0] | | | DC correction for signal path enable | DC correction for signal monitor enable | | 0x00 | | |
| 0x10D | Signal Monitor DC Value Channel A Register 0 (Global) | DC Value Channel A[7:0] | | | | | | | | | Read only | |
| 0x10E | Signal Monitor DC Value Channel A Register 1 (Global) | Open | Open | DC Value Channel A[13:8] | | | | | | | | Read only |
| 0x10F | Signal Monitor DC Value Channel B Register 0 (Global) | DC Value Channel B[7:0] | | | | | | | | | Read only | |
| 0x110 | Signal Monitor DC Value Channel B Register 1 (Global) | Open | Open | DC Value Channel B[13:8] | | | | | | | | Read only |
| 0x111 | Signal Monitor SPORT Control (Global) | Open | RMS/MS magnitude output enable | Peak detector output enable | Threshold crossing output enable | SPORT SMI SCLK divide 00 = undefined 01 = divide by 2 10 = divide by 4 11 = divide by 8 | | SPORT SMI SCLK sleep | Signal monitor SPORT output enable | 0x04 | | |
| 0x112 | Signal Monitor Control (Global) | Complex power calculation mode enable | Open | Open | Open | Signal monitor rms/ms select 0 = rms 1 = ms | Signal monitor mode 00 = rms/ms magnitude 01 = peak detector 10 = threshold crossing 11 = threshold crossing | | Signal monitor enable | 0x00 | | |
| 0x113 | Signal Monitor Period Register 0 (Global) | Signal Monitor Period[7:0] | | | | | | | | 0x80 | In ADC clock cycles | |
| 0x114 | Signal Monitor Period Register 1 (Global) | Signal Monitor Period[15:8] | | | | | | | | 0x00 | In ADC clock cycles | |
| 0x115 | Signal Monitor Period Register 2 (Global) | Signal Monitor Period[23:16] | | | | | | | | 0x00 | In ADC clock cycles | |
| 0x116 | Signal Monitor Result Channel A Register 0 (Global) | Signal Monitor Result Channel A[7:0] | | | | | | | | | Read only | |

| Addr (Hex) | Register Name | Bit 7 (MSB) | Bit 6 | Bit 5 | Bit 4 | Bit 3 | Bit 2 | Bit 1 | Bit 0 (LSB) | Default Value (Hex) | Default Notes/Comments |
|------------|---|---------------------------------------|-------|-------|-------|--|-------|-------|-------------|---------------------|------------------------|
| 0x117 | Signal Monitor Result Channel A Register 1 (Global) | Signal Monitor Result Channel A[15:8] | | | | | | | | | Read only |
| 0x118 | Signal Monitor Result Channel A Register 2 (Global) | Open | Open | Open | Open | Signal Monitor Value Channel A[19:16] | | | | | Read only |
| 0x119 | Signal Monitor Result Channel B Register 0 (Global) | Signal Monitor Result Channel B[7:0] | | | | | | | | | Read only |
| 0x11A | Signal Monitor Result Channel B Register 1 (Global) | Signal Monitor Result Channel B[15:8] | | | | | | | | | Read only |
| 0x11B | Signal Monitor Result Channel B Register 2 (Global) | Open | Open | Open | Open | Signal Monitor Result Channel B[19:16] | | | | | Read only |

MEMORY MAP REGISTER DESCRIPTIONS

For additional information about functions controlled in Register 0x00 to Register 0xFF, see Application Note AN-877, *Interfacing to High Speed ADCs via SPI*.

Sync Control (Register 0x100)

Bit 7—Signal Monitor Sync Enable

Bit 7 enables the sync pulse from the external SYNC input to the signal monitor block. The sync signal is passed when Bit 7 and Bit 0 are high. This is continuous sync mode.

Bits[6:3]—Reserved

Bit 2—Clock Divider Next Sync Only

If the master sync enable bit (Address 0x100, Bit 0) and the clock divider sync enable bit (Address 0x100, Bit 1) are high, Bit 2 allows the clock divider to sync to the first sync pulse it receives and to ignore the rest. The clock divider sync enable bit (Address 0x100, Bit 1) resets after it syncs.

Bit 1—Clock Divider Sync Enable

Bit 1 gates the sync pulse to the clock divider. The sync signal is passed when Bit 1 is high and Bit 0 is high. This is continuous sync mode.

Bit 0—Master Sync Enable

Bit 0 must be high to enable any of the sync functions.

Fast Detect Control (Register 0x104)

Bits[7:4]—Reserved

Bits[3:1]—Fast Detect Mode Select

These bits set the mode of the fast detect output pins (see Table 14).

Bit 0—Fast Detect Enable

Bit 0 is used to enable the fast detect output pins. When the fast detect output pins are disabled, the outputs go into a high impedance state. In LVDS mode, when the outputs are interleaved, the outputs go high-Z only if both channels are turned off (power-down/standby/output disabled). If only one channel is turned off (power-down/standby/output disabled), the fast detect output pins repeat the data of the active channel.

Coarse Upper Threshold (Register 0x105)

Bits[7:3]—Reserved

Bits[2:0]—Coarse Upper Threshold

These bits set the level required to assert the coarse upper threshold indication (see Table 18).

Fine Upper Threshold (Register 0x106 and Register 0x107)

Register 0x106, Bits[7:0]—Fine Upper Threshold[7:0]

Register 0x107, Bits[7:5]—Reserved

Register 0x107, Bits[4:0]—Fine Upper Threshold[12:8]

These registers provide the fine upper limit threshold. This 13-bit value is compared to the 13-bit magnitude from the ADC block. If the ADC magnitude exceeds this threshold value, the F_UT flag is set.

Fine Lower Threshold (Register 0x108 and Register 0x109)

Register 0x108, Bits[7:0]—Fine Lower Threshold[7:0]

Register 0x109, Bits[7:5]—Reserved

Register 0x109, Bits[4:0]—Fine Lower Threshold[12:8]

These registers provide the fine lower limit threshold. This 13-bit value is compared to the 13-bit magnitude from the ADC block. If the ADC magnitude is less than this threshold value, the F_LT flag is set.

Increase Gain Dwell Time (Register 0x10A and Register 0x10B)

Register 0x10A, Bits[7:0]—Increase Gain Dwell Time[7:0]
Register 0x10B, Bits[7:0]—Increase Gain Dwell Time[15:8]

These registers are programmed with the dwell time in ADC clock cycles for which the signal must be below the fine lower threshold value before the increase gain output is asserted.

Signal Monitor DC Correction Control (Register 0x10C)

Bit 7—Reserved

Bit 6—DC Correction Freeze

When Bit 6 is set high, the dc correction is no longer updated to the signal monitor block. It holds the last dc value it calculated.

Bits[5:2]—DC Correction Bandwidth

These bits set the averaging time of the power monitor dc correction function. This 4-bit word sets the bandwidth of the correction block according to the following equation:

$$DC_Corr_BW = 2^{-k-14} \times \frac{f_{CLK}}{2 \times \pi}$$

where:

k is the 4-bit value programmed in Register 0x10C, Bits[5:2] (values between 0 and 13 are valid for k ; programming 14 or 15 provides the same result as programming 13).

f_{CLK} is the AD9627-11 ADC sample rate in hertz (Hz).

Bit 1—DC Correction for Signal Path Enable

Setting Bit 1 high causes the output of the dc measurement block to be summed with the data in the signal path to remove the dc offset from the signal path.

Bit 0—DC Correction for Signal Monitor Enable

Bit 0 enables the dc correction function in the signal monitor block. The dc correction is an averaging function that can be used by the signal monitor to remove dc offset in the signal. Removing this dc offset from the measurement allows a more accurate reading.

Signal Monitor DC Value Channel A (Register 0x10D and Register 0x10E)

Register 0x10D, Bits[7:0]—DC Value Channel A[7:0]

Register 0x10E, Bits[7:6]—Reserved

Register 0x10E, Bits[5:0]—DC Value Channel A[13:8]

These read-only registers hold the latest dc offset value computed by the signal monitor for Channel A.

Signal Monitor DC Value Channel B (Register 0x10F and Register 0x110)

Register 0x10F, Bits[7:0]—DC Value Channel B[7:0]

Register 0x110, Bits[7:6]—Reserved

Register 0x110, Bits[5:0]—DC Value Channel B[13:8]

These read-only registers hold the latest dc offset value computed by the signal monitor for Channel B.

Signal Monitor SPORT Control (Register 0x111)

Bit 7—Reserved

Bit 6—RMS/MS Magnitude Output Enable

These bits enable the 20-bit rms or ms magnitude measurement as output on the SPORT.

Bit 5—Peak Detector Output Enable

Bit 5 enables the 13-bit peak measurement as output on the SPORT.

Bit 4—Threshold Crossing Output Enable

Bit 4 enables the 13-bit threshold measurement as output on the SPORT.

Bits[3:2]—SPORT SMI SCLK Divide

The values of these bits set the SPORT SMI SCLK divide ratio from the input clock. A value of 0x01 sets divide by 2 (default), a value of 0x10 sets divide by 4, and a value of 0x11 sets divide by 8.

Bit 1—SPORT SMI SCLK Sleep

Setting Bit 1 high causes the SMI SCLK to remain low when the signal monitor block has no data to transfer.

Bit 0—Signal Monitor SPORT Output Enable

When set, Bit 0 enables the SPORT output of the signal monitor to begin shifting out the result data from the signal monitor block.

Signal Monitor Control (Register 0x112)

Bit 7—Complex Power Calculation Mode Enable

This mode assumes I data is present on one channel and Q data is present on the alternate channel. The result reported is the complex power, measured as

$$\sqrt{I^2 + Q^2}$$

Bits[6:4]—Reserved

Bit 3—Signal Monitor RMS/MS Select

Setting Bit 3 low selects rms power measurement mode. Setting Bit 3 high selects ms power measurement mode.

Bits[2:1]—Signal Monitor Mode

Bit 2 and Bit 1 set the mode of the signal monitor for data output to Register 0x116 through Register 0x11B. Setting Bit 2 and Bit 1 to 0x00 selects rms/ms magnitude output; setting these bits to 0x01 selects peak detector output; and setting these bits to 0x10 or 0x11 selects threshold crossing output.

Bit 0—Signal Monitor Enable

Setting Bit 0 high enables the signal monitor block.

Signal Monitor Period (Register 0x113 to Register 0x115)

Register 0x113, Bits[7:0]—Signal Monitor Period[7:0]

Register 0x114, Bits[7:0]—Signal Monitor Period[15:8]

Register 0x115, Bits[7:0]—Signal Monitor Period[23:16]

This 24-bit value sets the number of clock cycles over which the signal monitor performs its operation. The minimum value for this register is 128 cycles; programmed values less than 128 revert to 128.

Signal Monitor Result Channel A (Register 0x116 to Register 0x118)

Register 0x116, Bits[7:0]—Signal Monitor Result Channel A[7:0]

Register 0x117, Bits[7:0]—Signal Monitor Result Channel A[15:8]

Register 0x118, Bits[7:4]—Reserved

Register 0x118, Bits[3:0]—Signal Monitor Result Channel A[19:16]

This 20-bit value contains the result calculated by the signal monitoring block for Channel A. The result is dependent on the settings in Register 0x112[2:1].

Signal Monitor Result Channel B (Register 0x119 to Register 0x11B)

Register 0x119, Bits[7:0]—Signal Monitor Result Channel B[7:0]

Register 0x11A, Bits[7:0]—Signal Monitor Result Channel B[15:8]

Register 0x11B, Bits[7:4]—Reserved

Register 0x11B, Bits[3:0]—Signal Monitor Result Channel B[19:16]

This 20-bit value contains the result calculated by the signal monitoring block for Channel B. The result is dependent on the settings in Register 0x112[2:1].

APPLICATIONS INFORMATION

DESIGN GUIDELINES

Before starting design and layout of the AD9627-11 as a system, it is recommended that the designer become familiar with these guidelines, which discuss the special circuit connections and layout requirements needed for certain pins.

Power and Ground Recommendations

When connecting power to the AD9627-11, it is recommended that two separate 1.8 V supplies be used: one supply should be used for analog (AVDD) and digital (DVDD), and a separate supply should be used for the digital outputs (DRVDD). The AVDD and DVDD supplies, while derived from the same source, should be isolated with a ferrite bead or filter choke and separate decoupling capacitors. The designer can employ several different decoupling capacitors to cover both high and low frequencies. These capacitors should be located close to the point of entry at the PC board level and close to the pins of the part, with minimal trace length.

A single PCB ground plane should be sufficient when using the AD9627-11. With proper decoupling and smart partitioning of the PCB analog, digital, and clock sections, optimum performance is easily achieved.

LVDS Operation

The AD9627-11 defaults to CMOS output mode on power-up. If LVDS operation is desired, this mode must be programmed using the SPI configuration registers after power-up. When the AD9627-11 powers up in CMOS mode with LVDS termination resistors (100 Ω) on the outputs, the DRVDD current can be higher than the typical value until the part is placed in LVDS mode. This additional DRVDD current does not cause damage to the AD9627-11, but it should be taken into account when considering the maximum DRVDD current for the part.

To avoid this additional DRVDD current, the AD9627-11 outputs can be disabled at power up by taking the OEB pin high. After the part is placed into LVDS mode via the SPI port, the OEB pin can be taken low to enable the outputs.

Exposed Paddle Thermal Heat Slug Recommendations

It is mandatory that the exposed paddle on the underside of the ADC be connected to analog ground (AGND) to achieve the best electrical and thermal performance. A continuous, exposed (no solder mask), copper plane on the PCB should mate to the AD9627-11 exposed paddle, Pin 0.

The copper plane should have several vias to achieve the lowest possible resistive thermal path for heat dissipation to flow through the bottom of the PCB. These vias should be filled or plugged with nonconductive epoxy.

To maximize the coverage and adhesion between the ADC and the PCB, a silkscreen should be overlaid to partition the continuous plane on the PCB into several uniform sections. This provides several tie points between the ADC and the PCB during the reflow process. Using one continuous plane with no partitions guarantees only one tie point between the ADC and the PCB. See the evaluation board for a PCB layout example. For detailed information about packaging and PCB layout of chip scale packages, see Application Note AN-772, *A Design and Manufacturing Guide for the Lead Frame Chip Scale Package (LFCSP)*.

CML

The CML pin should be decoupled to ground with a 0.1 μF capacitor, as shown in Figure 47.

RBIAS

The AD9627-11 requires that a 10 k Ω resistor be placed between the RBIAS pin and ground. This resistor sets the master current reference of the ADC core and should have at least a 1% tolerance.

Reference Decoupling

The VREF pin should be externally decoupled to ground with a low ESR, 1.0 μF capacitor in parallel with a low ESR, 0.1 μF ceramic capacitor.

SPI Port

The SPI port should not be active during periods when the full dynamic performance of the converter is required. Because the SCLK, CSB, and SDIO signals are typically asynchronous to the ADC clock, noise from these signals can degrade converter performance. If the on-board SPI bus is used for other devices, it may be necessary to provide buffers between this bus and the AD9627-11 to keep these signals from transitioning at the converter inputs during critical sampling periods.

EVALUATION BOARD

The AD9627-11 evaluation board provides all of the support circuitry required to operate the ADC in its various modes and configurations. The converter can be driven differentially through a double balun configuration (default) or optionally through the AD8352 differential driver. The ADC can also be driven in a single-ended fashion. Separate power pins are provided to isolate the DUT from the AD8352 drive circuitry. Each input configuration can be selected by proper connection of various components (see Figure 73 to Figure 82). Figure 72 shows the typical bench characterization setup used to evaluate the ac performance of the AD9627-11.

It is critical that the signal sources used for the analog input and clock have very low phase noise ($\ll 1$ ps rms jitter) to realize the optimum performance of the converter. Proper filtering of the analog input signal to remove harmonics and lower the integrated or broadband noise at the input is also necessary to achieve the specified noise performance.

See Figure 73 to Figure 90 for the complete schematics and layout diagrams that demonstrate the routing and grounding techniques that should be applied at the system level.

POWER SUPPLIES

This evaluation board comes with a wall-mountable switching power supply that provides a 6 V, 2 A maximum output. Connect the supply to the rated 100 V ac to 240 V ac wall outlet at 47 Hz to 63 Hz. The output of the supply is a 2.1 mm inner diameter circular jack that connects to the PCB at J16. Once on the PC board, the 6 V supply is fused and conditioned before connection to five low dropout linear regulators that supply the proper bias to each of the various sections on the board.

External supplies can be used to operate the evaluation board by removing L1, L3, L4, and L13 to disconnect the voltage regulators supplied from the switching power supply. This enables the user to individually bias each section of the board. Use P3 and P4 to connect a different supply for each section. At least one 1.8 V supply is needed with a 1 A current capability for AVDD and DVDD; a separate 1.8 V to 3.3 V supply is recommended for DRVDD. To operate the evaluation board using the AD8352 option, a separate 5.0 V supply (AMP_VDD) with a 1 A current capability is needed. To operate the evaluation board using the alternate SPI options, a separate 3.3 V analog supply (VS) is needed, in addition to the other supplies. The 3.3 V supply (VS) should have a 1 A current capability, as well. Solder Jumper SJ35 allows the user to separate AVDD and DVDD, if desired.

INPUT SIGNALS

When connecting the clock and analog source, use clean signal generators with low phase noise, such as the Rohde & Schwarz SMA100A signal generators or the equivalent. Use 1 m long, shielded, RG-58, 50 Ω coaxial cable for making connections to the evaluation board. Enter the desired frequency and amplitude for the ADC. The AD9627-11 evaluation board from Analog Devices, Inc., can accept a ~ 2.8 V p-p or 13 dBm sine wave input for the clock. When connecting the analog input source, it is recommended that a multipole, narrow-band, band-pass filter with 50 Ω terminations be used. Band-pass filters of this type are available from TTE, Allen Avionics, and K&L Microwave, Inc. Connect the filter directly to the evaluation board, if possible.

OUTPUT SIGNALS

The parallel CMOS outputs interface directly with the Analog Devices standard ADC data capture board (HSC-ADC-EVALCZ). For more information on the ADC data capture boards and their optional settings, visit www.analog.com/FIFO.

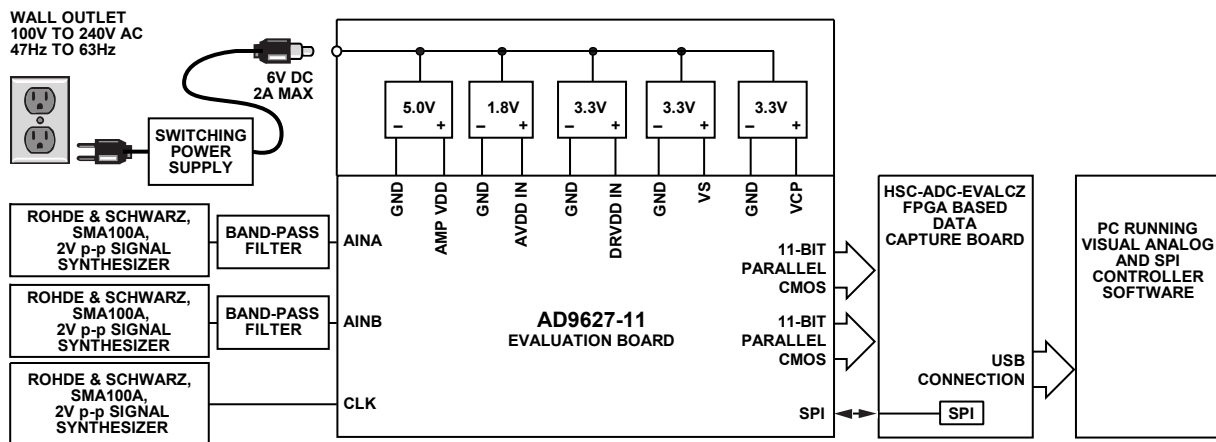


Figure 72. Evaluation Board Connection

DEFAULT OPERATION AND JUMPER SELECTION SETTINGS

The following is a list of the default and optional settings or modes allowed on the AD9627-11 evaluation board.

POWER

Connect the switching power supply that is provided in the evaluation kit between a rated 100 V ac to 240 V ac wall outlet at 47 Hz to 63 Hz and P500.

VIN

The evaluation board is set up for a double balun configuration analog input with optimum 50 Ω impedance matching from 70 MHz to 200 MHz. For more bandwidth response, the differential capacitor across the analog inputs can be changed or removed (see Table 10). The common mode of the analog inputs is developed from the center tap of the transformer via the CML pin of the ADC (see the Analog Input Considerations section).

VREF

VREF is set to 1.0 V by tying the SENSE pin to ground by adding a jumper on Header J5 (Pin 1 to Pin 2). This causes the ADC to operate in 2.0 V p-p full-scale range. To place the ADC in 1.0 V p-p mode (VREF = 0.5 V), a jumper should be placed on Header J4. A separate external reference option is also included on the evaluation board. To use an external reference, connect J6 (Pin 1 to Pin 2) and provide an external reference at TP5. Proper use of the VREF options is detailed in the Voltage Reference section.

RBIAS

RBIAS requires a 10 k Ω resistor (R503) to ground and is used to set the ADC core bias current.

CLOCK

The default clock input circuitry is derived from a simple balun-coupled circuit using a high bandwidth 1:1 impedance ratio balun (T5) that adds a very low amount of jitter to the clock path. The clock input is 50 Ω terminated and ac-coupled to handle single-ended sine wave inputs. The transformer converts the single-ended input to a differential signal that is clipped before entering the ADC clock inputs. When the AD9627-11 input clock divider is utilized, clock frequencies up to 625 MHz can be input into the evaluation board through Connector S5.

PDWN

To enable the power-down feature, connect J7, shorting the PDWN pin to AVDD.

CSB

The CSB pin is internally pulled up, setting the chip into external pin mode, to ignore the SDIO and SCLK information. To connect the control of the CSB pin to the SPI circuitry on the evaluation board, connect J21, Pin 1 to J21, Pin 2.

SCLK/DFS

If the SPI port is in external pin mode, the SCLK/DFS pin sets the data format of the outputs. If the pin is left floating, the pin is internally pulled down, setting the default data format condition to offset binary. Connecting J2, Pin 1 to J2, Pin 2 sets the format to twos complement. If the SPI port is in serial pin mode, connecting J2, Pin 2 to J2, Pin 3 connects the SCLK pin to the on-board SPI circuitry (see the Serial Port Interface (SPI) section).

SDIO/DCS

If the SPI port is in external pin mode, the SDIO/DCS pin sets the duty cycle stabilizer. If the pin is left floating, the pin is internally pulled up, setting the default condition to DCS enabled. To disable the DCS, connect J1, Pin 1 to J1, Pin 2. If the SPI port is in serial pin mode, connecting J1, Pin 2 to J1, Pin 3 connects the SDIO pin to the on-board SPI circuitry (see the Serial Port Interface (SPI) section).

ALTERNATIVE CLOCK CONFIGURATIONS

Two alternate clocking options are provided on the AD9627-11 evaluation board. The first option is to use an on-board crystal oscillator (Y1) to provide the clock input to the part. To enable this crystal, Resistor R8 (0 Ω) and Resistor R85 (10 k Ω) should be installed, and Resistor R82 and Resistor R30 should be removed.

A second clock option is to use a differential LVPECL clock to drive the ADC input using the AD9516 (U2). When using this drive option, the AD9516 charge pump filter components need to be populated (see Figure 77). Consult the AD9516 data sheet for more information.

To configure the clock input from S5 to drive the AD9516 reference input instead of directly driving the ADC, the following components need to be added, removed, and/or changed.

1. Remove R32, R33, R99, and R101 in the default clock path.
2. Populate C78 and C79 with 0.001 μ F capacitors and R78 and R79 with 0 Ω resistors in the clock path.

In addition, unused AD9516 outputs (one LVDS and one LVPECL) are routed to optional Connector S8 through Connector S11 on the evaluation board.

ALTERNATIVE ANALOG INPUT DRIVE CONFIGURATION

This section provides a brief description of the alternative analog input drive configuration using the [AD8352](#). When using this particular drive option, some additional components need to be populated. For more details on the AD8352 differential driver, including how it works and its optional pin settings, consult the AD8352 data sheet.

To configure the analog input to drive the AD8352 instead of the default transformer option, the following components need to be added, removed, and/or changed for Channel A. For Channel B the corresponding components should be changed.

1. Remove C1, C17, C18, and C117 in the default analog input path.
2. Populate C8 and C9 with 0.1 μ F capacitors in the analog input path. To drive the AD8352 in the differential input mode, populate the T10 transformer; the R1, R37, R39, R126, and R127 resistors; and the C10, C11, and C125 capacitors.
3. Populate the optional amplifier output path with the desired components including an optional low-pass filter. Install 0 Ω resistors, R44 and R48. R43 and R47 should be increased (typically to 100 Ω) to increase to 200 Ω the output impedance seen by the AD8352.

SCHEMATICS

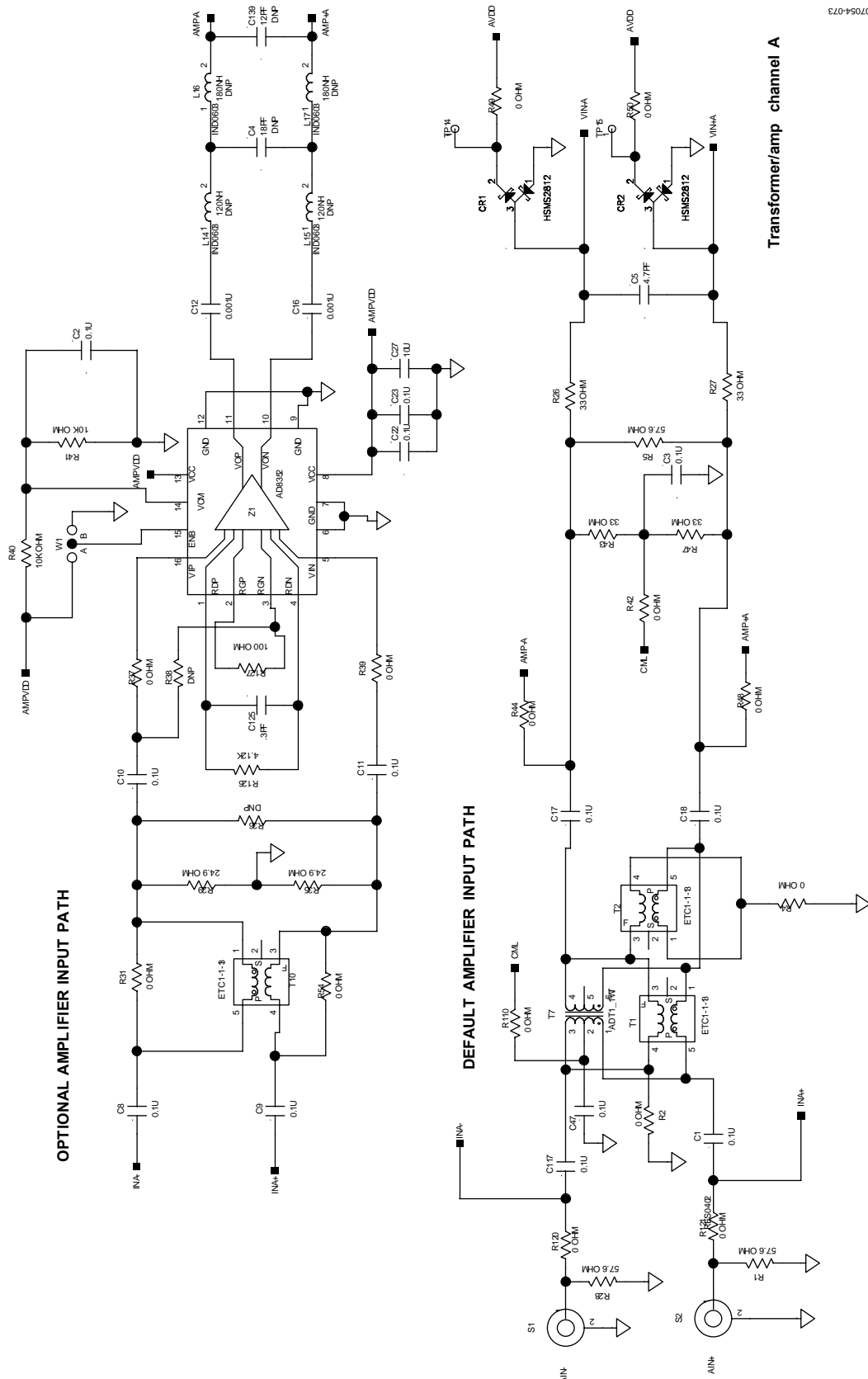


Figure 73. Evaluation Board Schematic, Channel A Analog Inputs

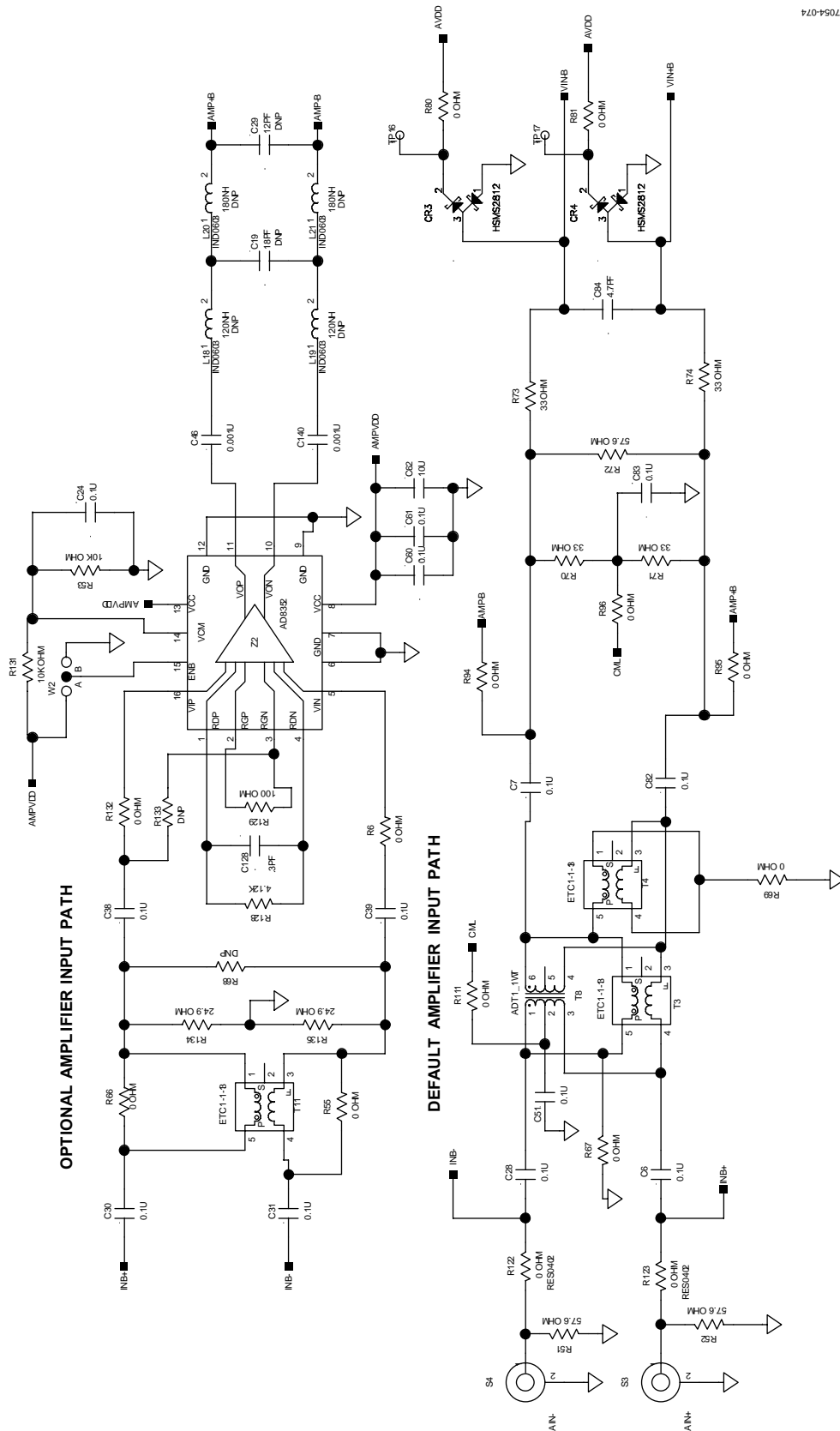


Figure 74. Evaluation Board Schematic, Channel B Analog Inputs

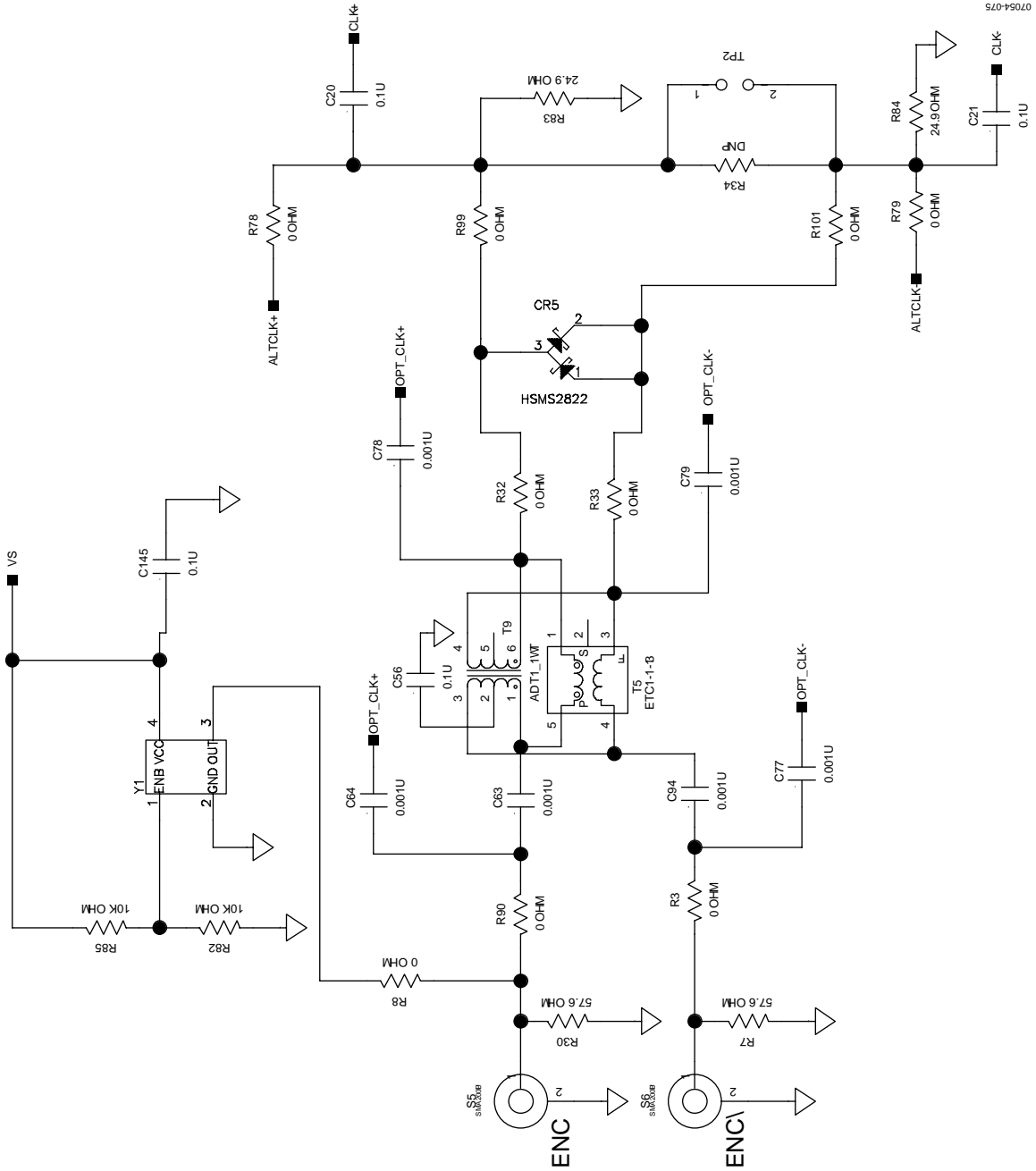


Figure 75. Evaluation Board Schematic, DUT Clock Input

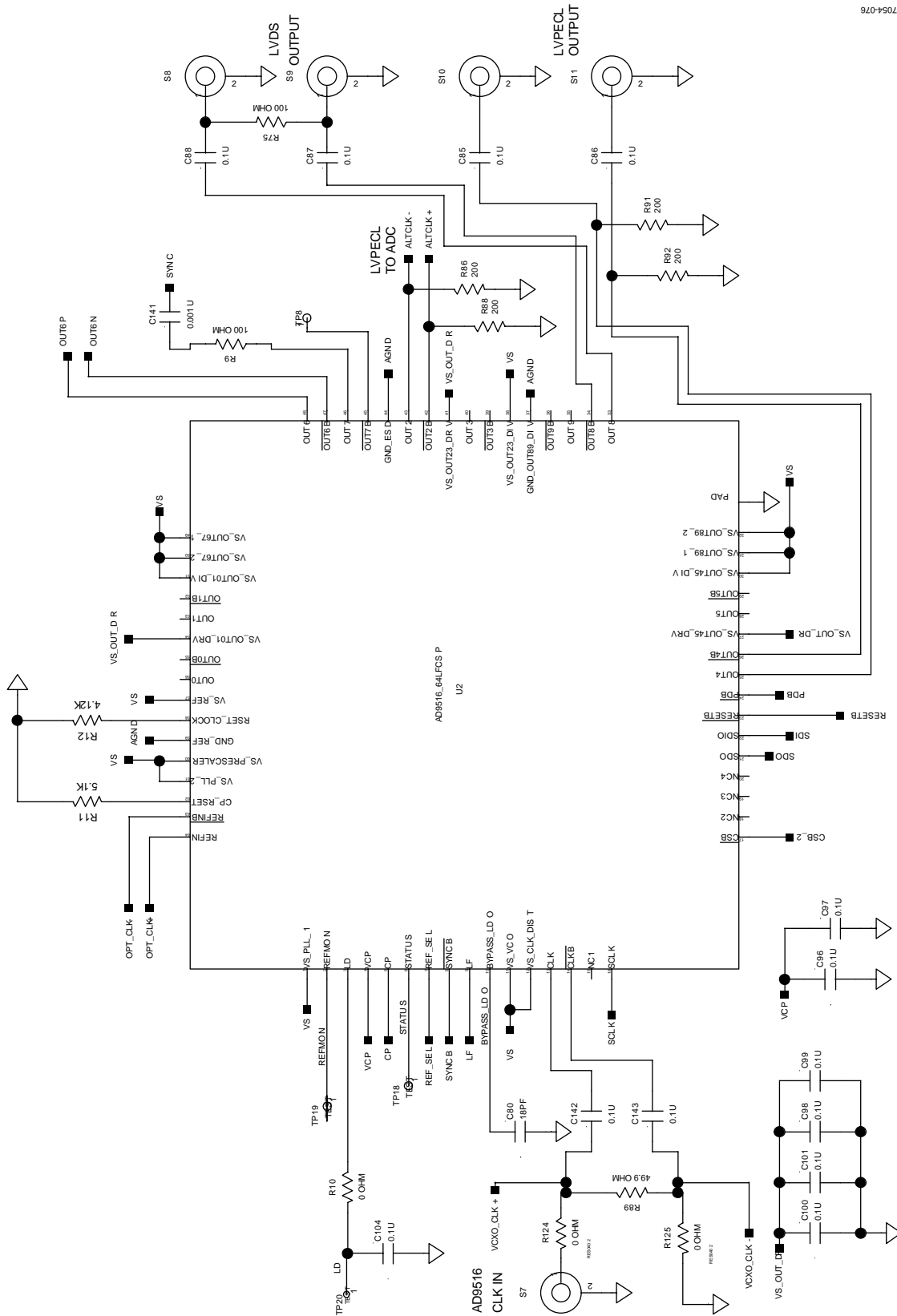


Figure 76. Evaluation Board Schematic, Optional AD9516 Clock Circuit

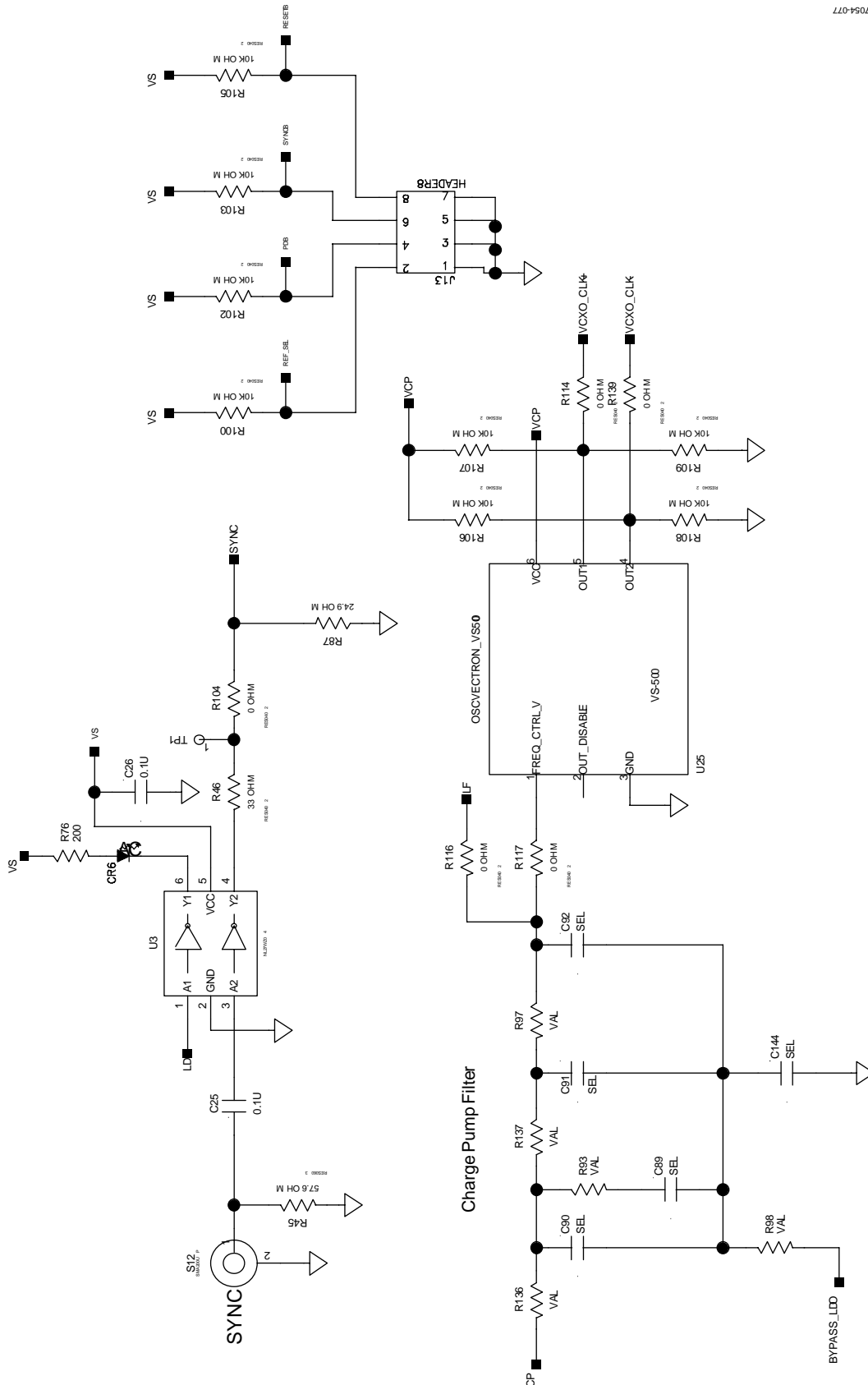


Figure 77. Evaluation Board Schematic, Optional AD9516 Loop Filter/VCO and SYNC Input

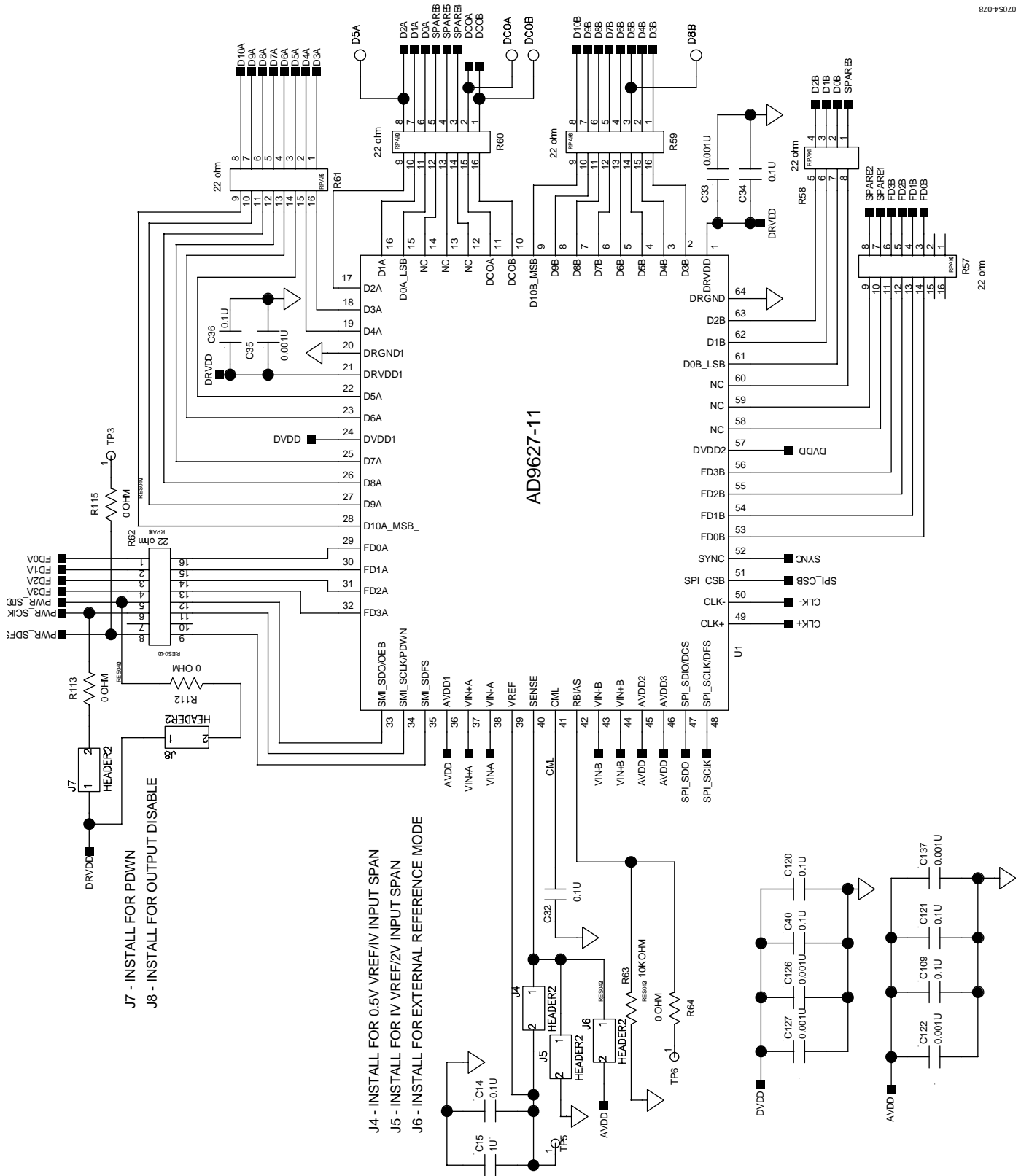


Figure 78. Evaluation Board Schematic, DUT

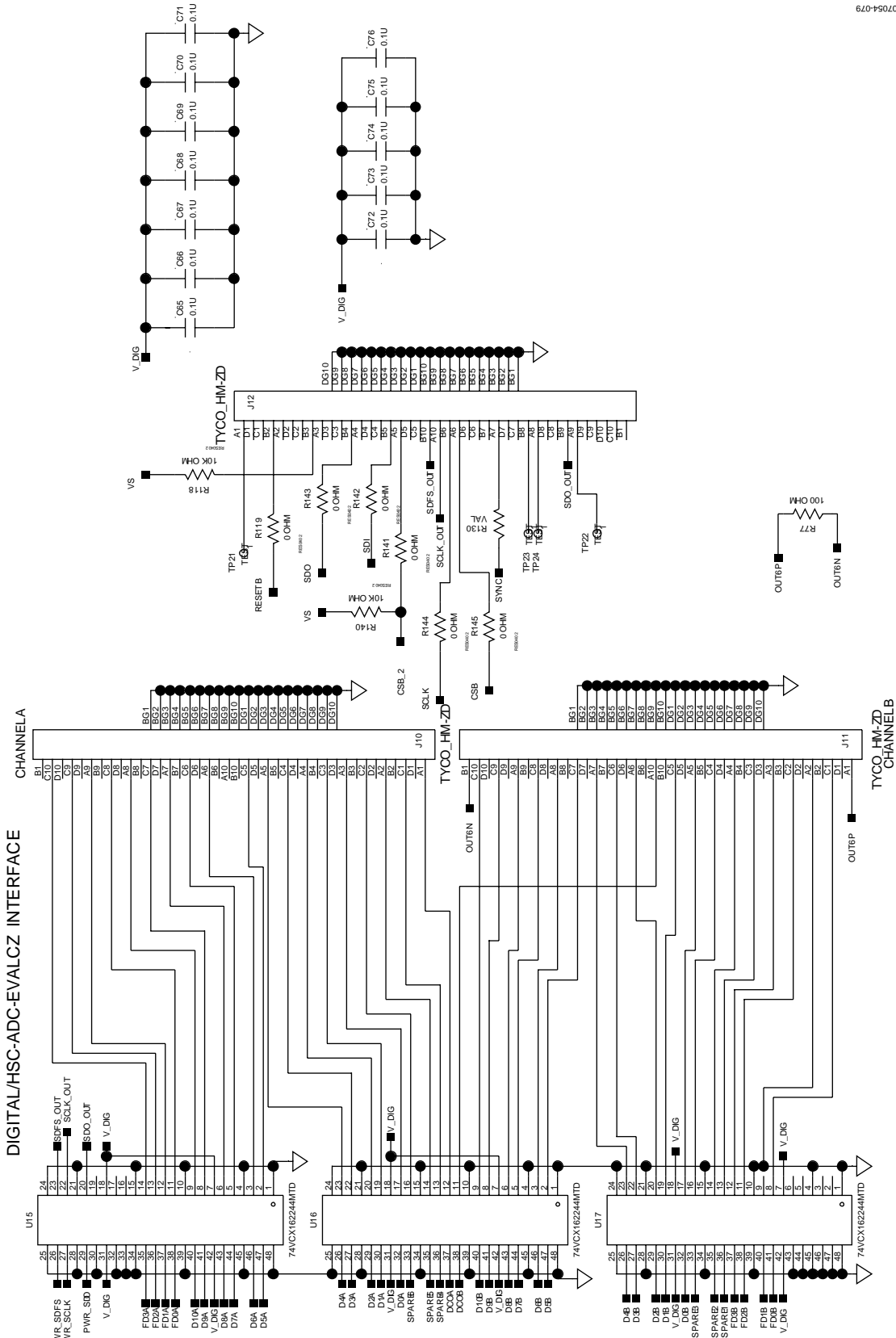


Figure 79. Evaluation Board Schematic, Digital Output Interface

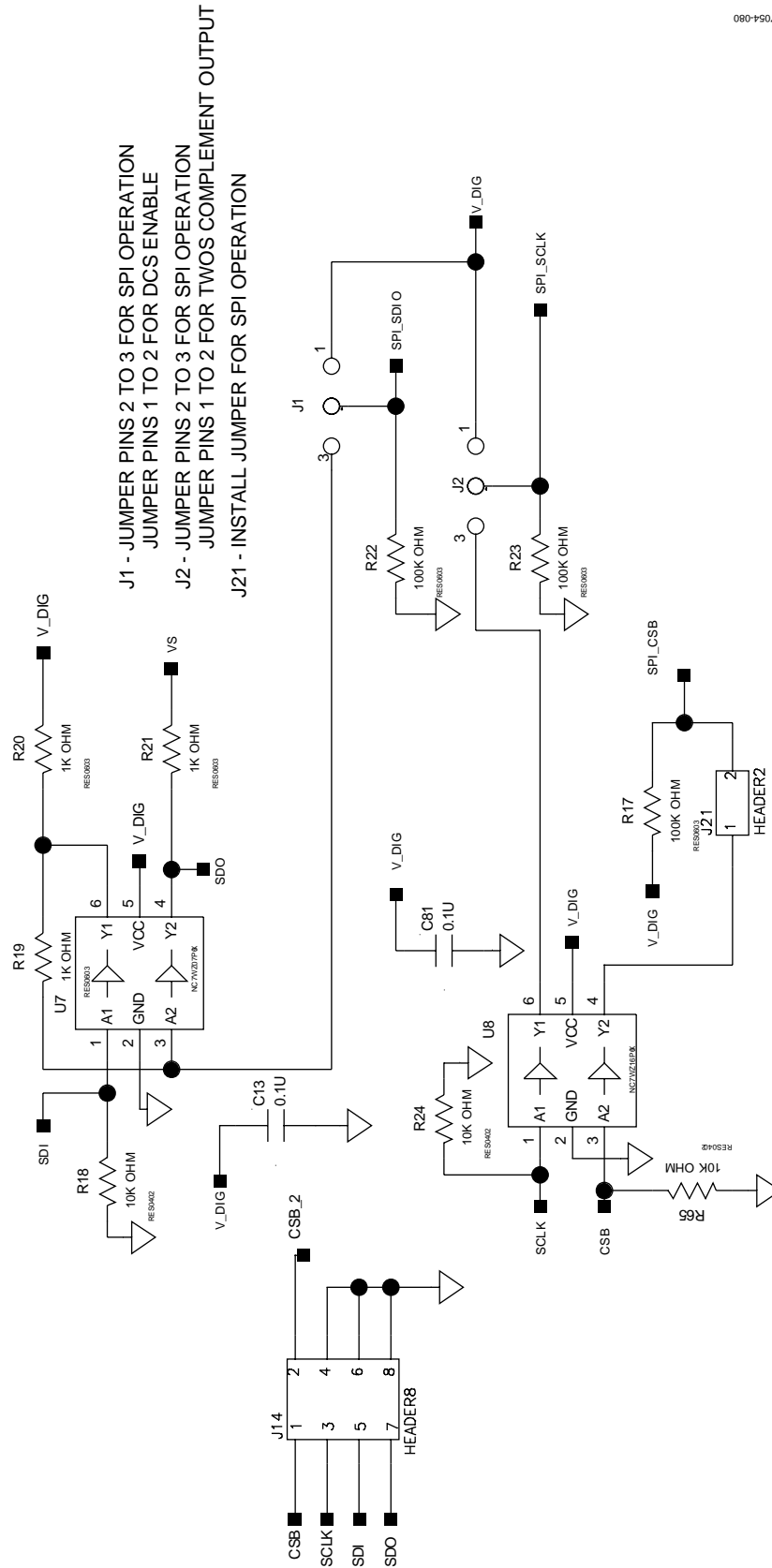
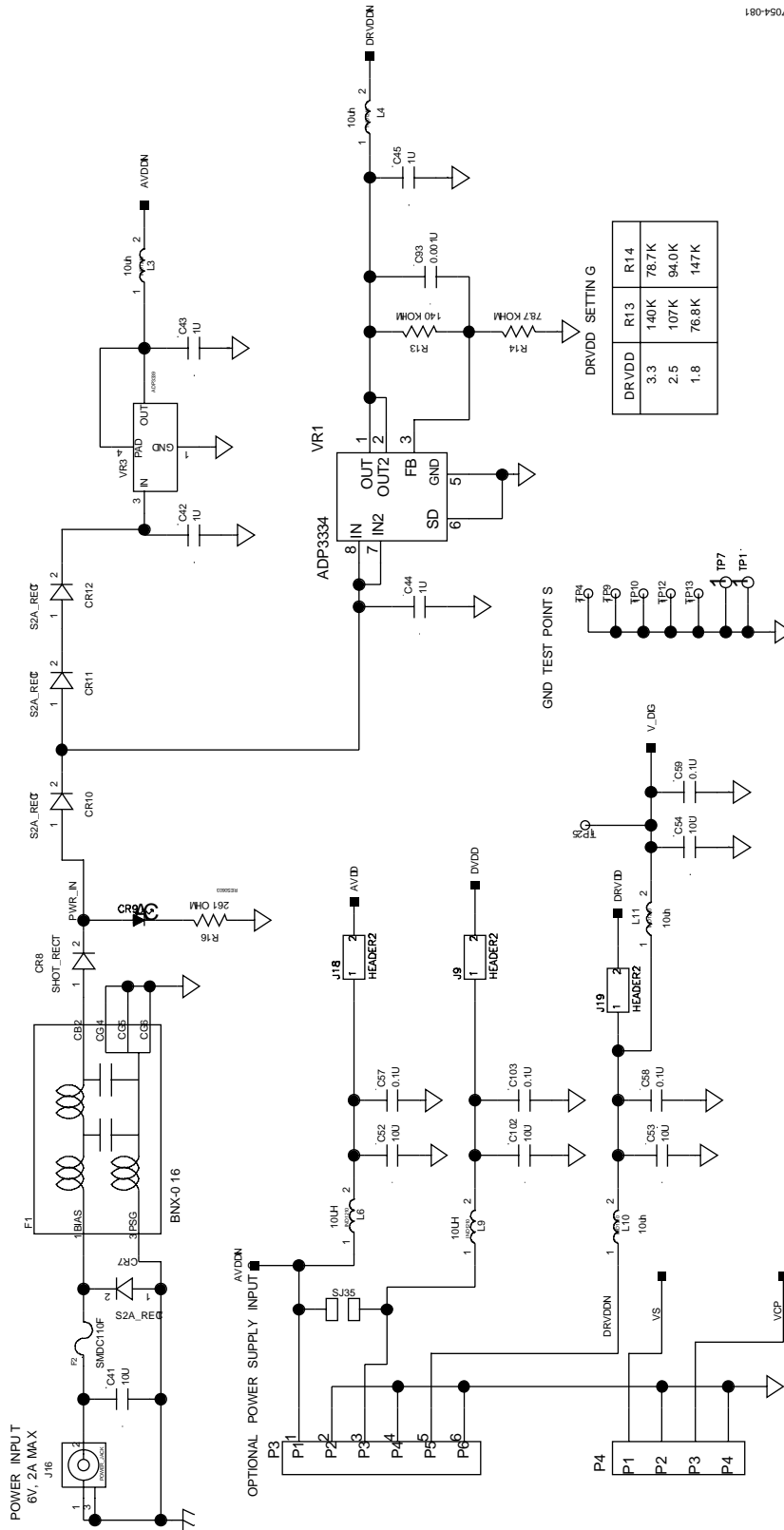


Figure 80. Evaluation Board Schematic, SPI Circuitry



07054-081

Figure 81. Evaluation Board Schematic, Power Supply

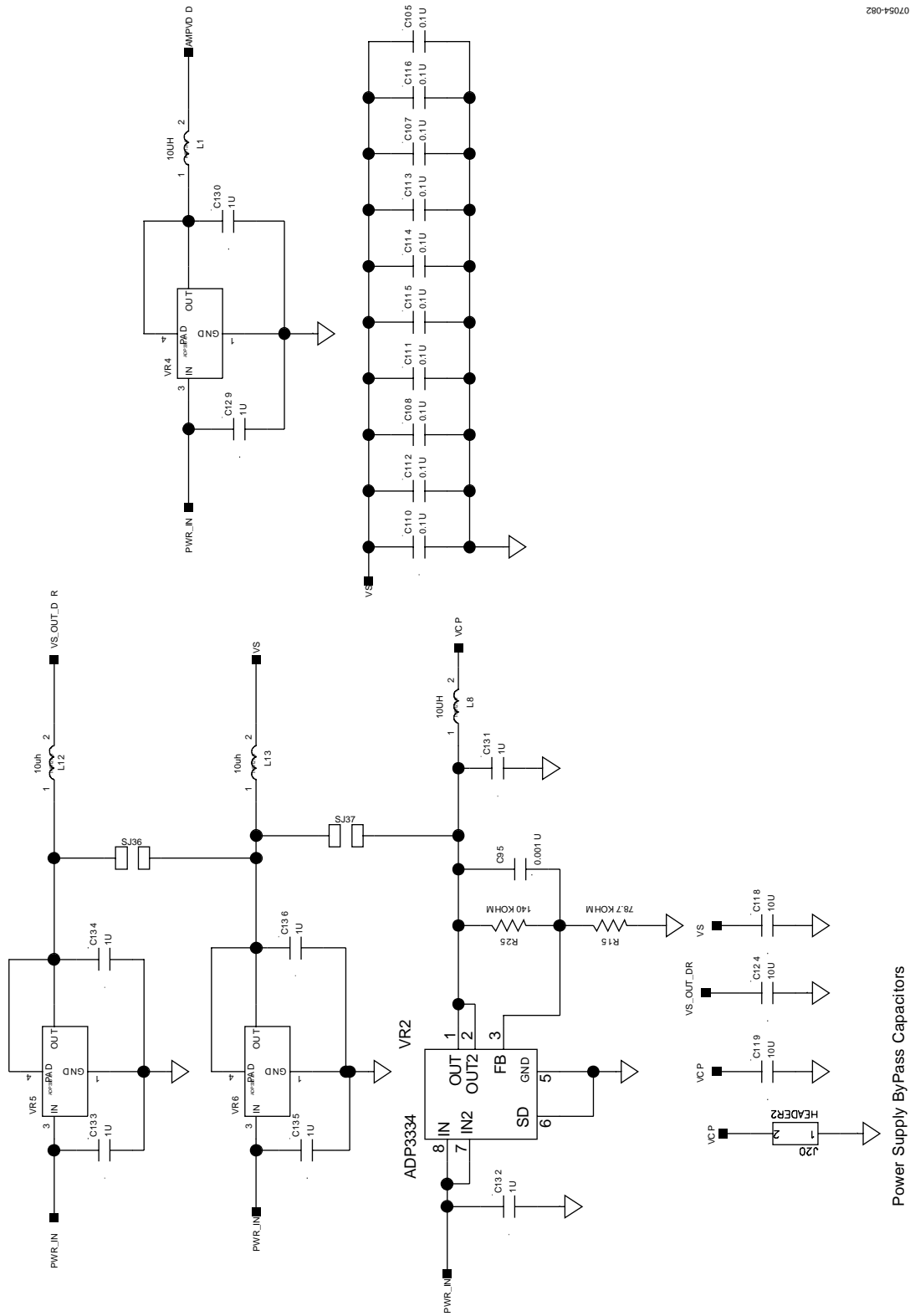


Figure 82. Evaluation Board Schematic, Power Supply (Continued)

EVALUATION BOARD LAYOUTS

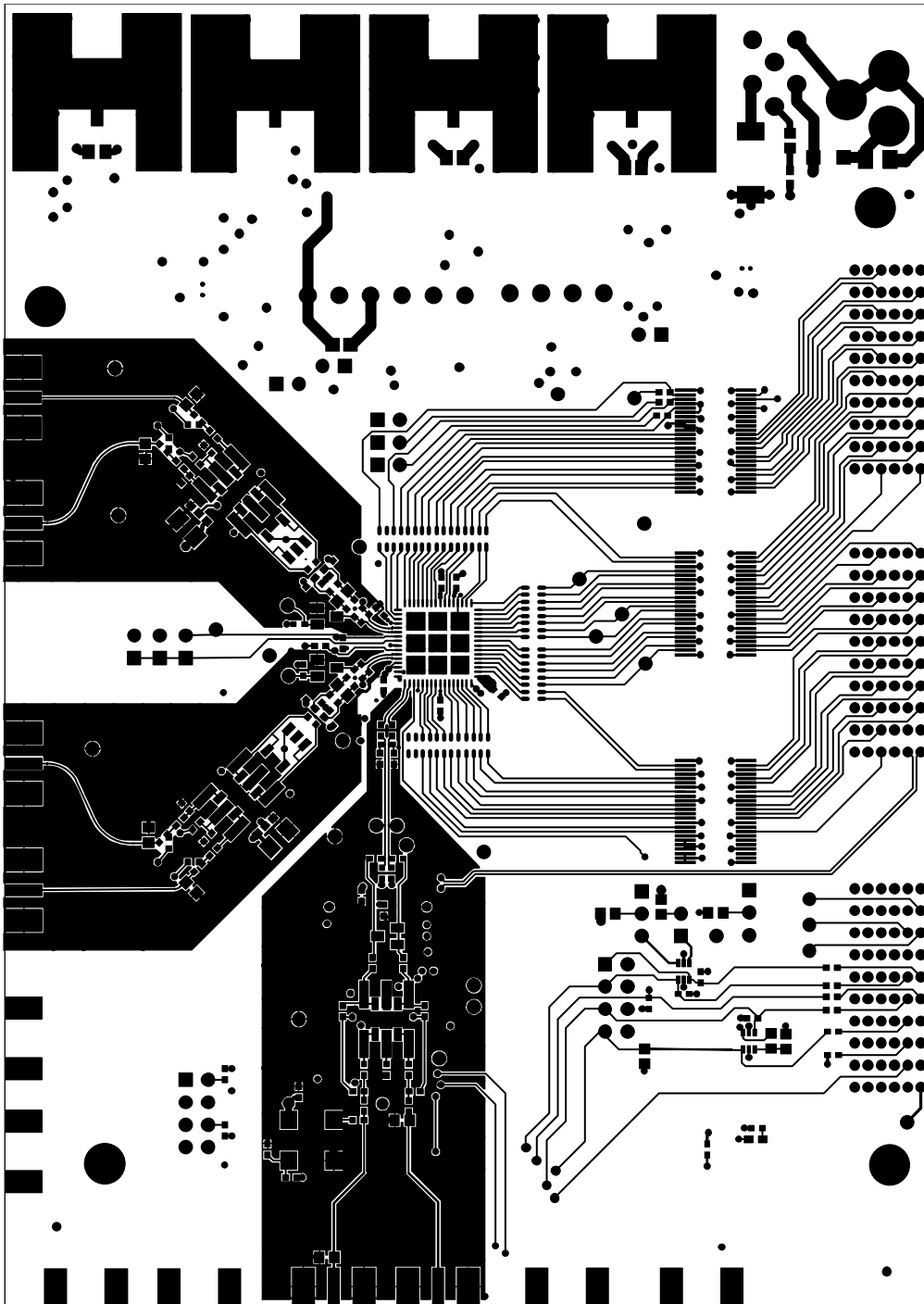
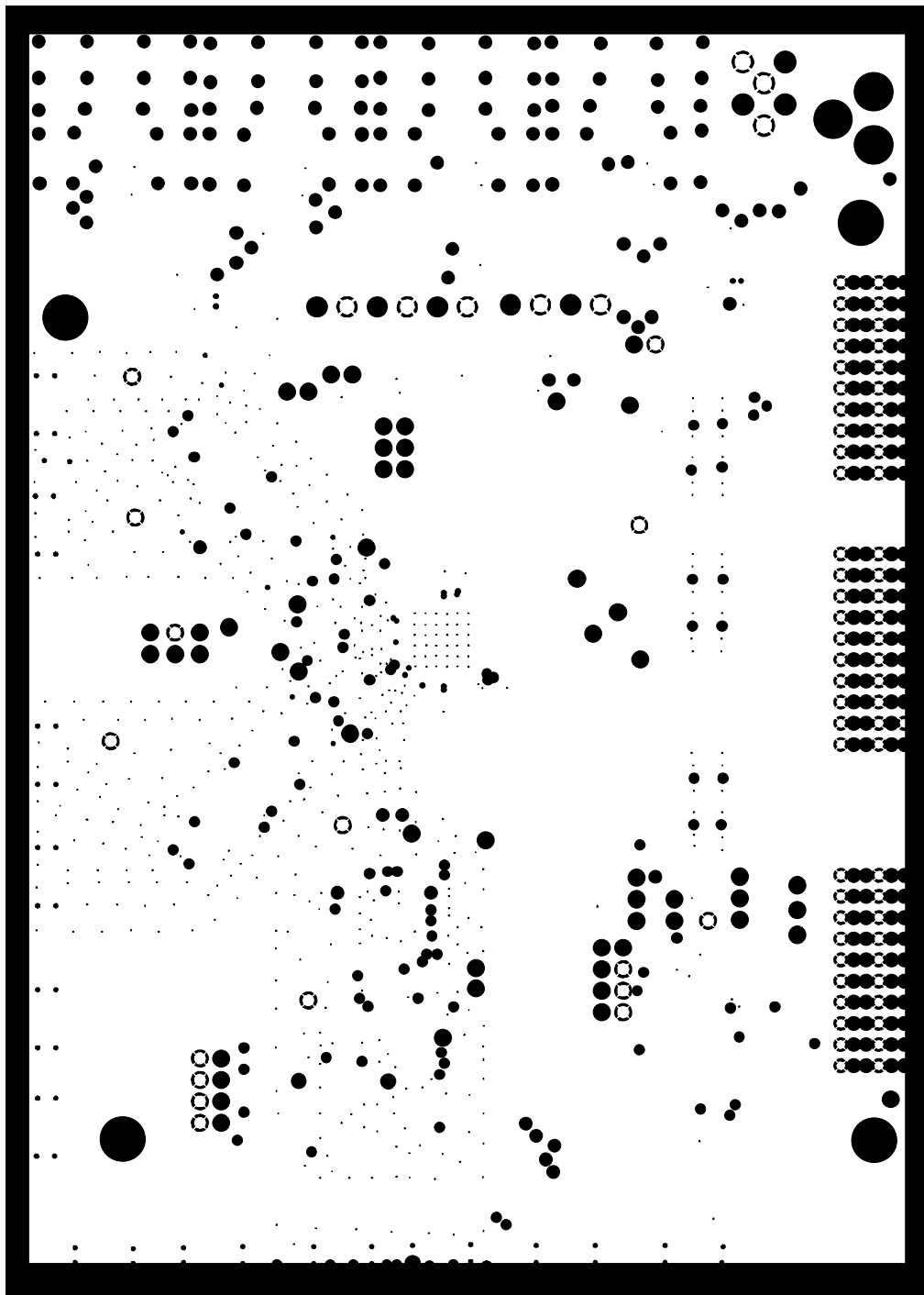
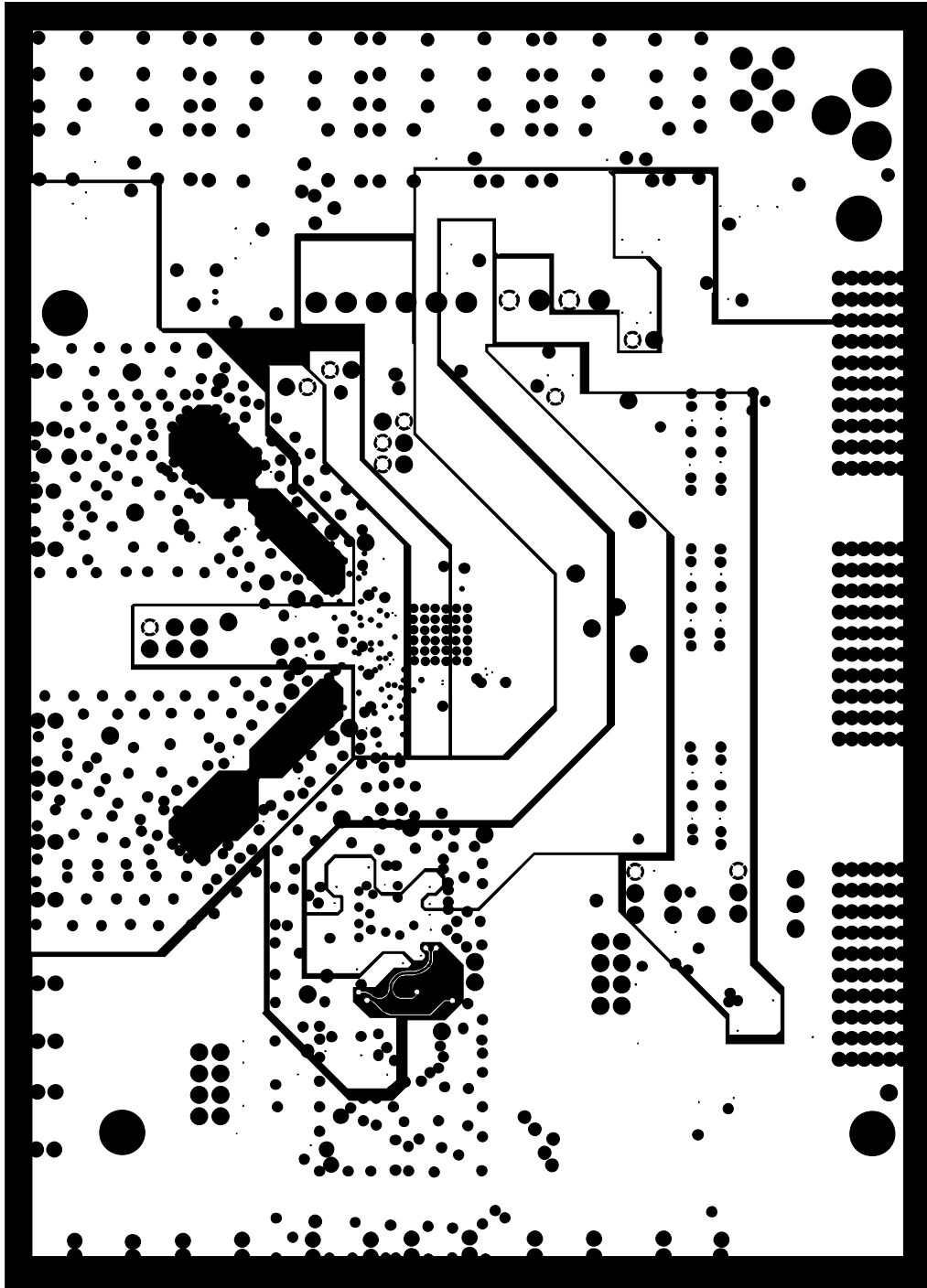


Figure 83. Evaluation Board Layout, Primary Side



07054-094

Figure 84. Evaluation Board Layout, Ground Plane



07054-085

Figure 85. Evaluation Board Layout, Power Plane

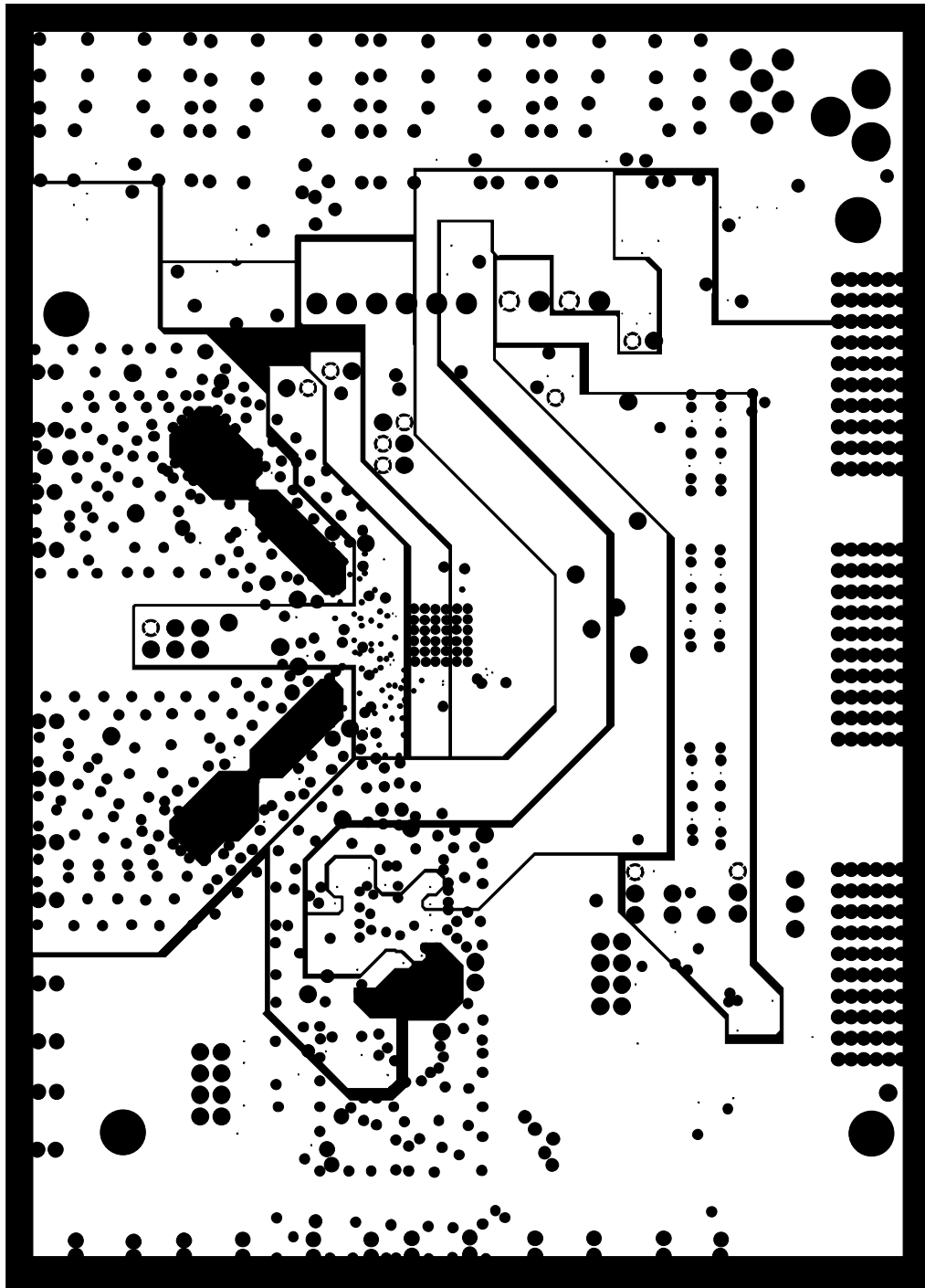
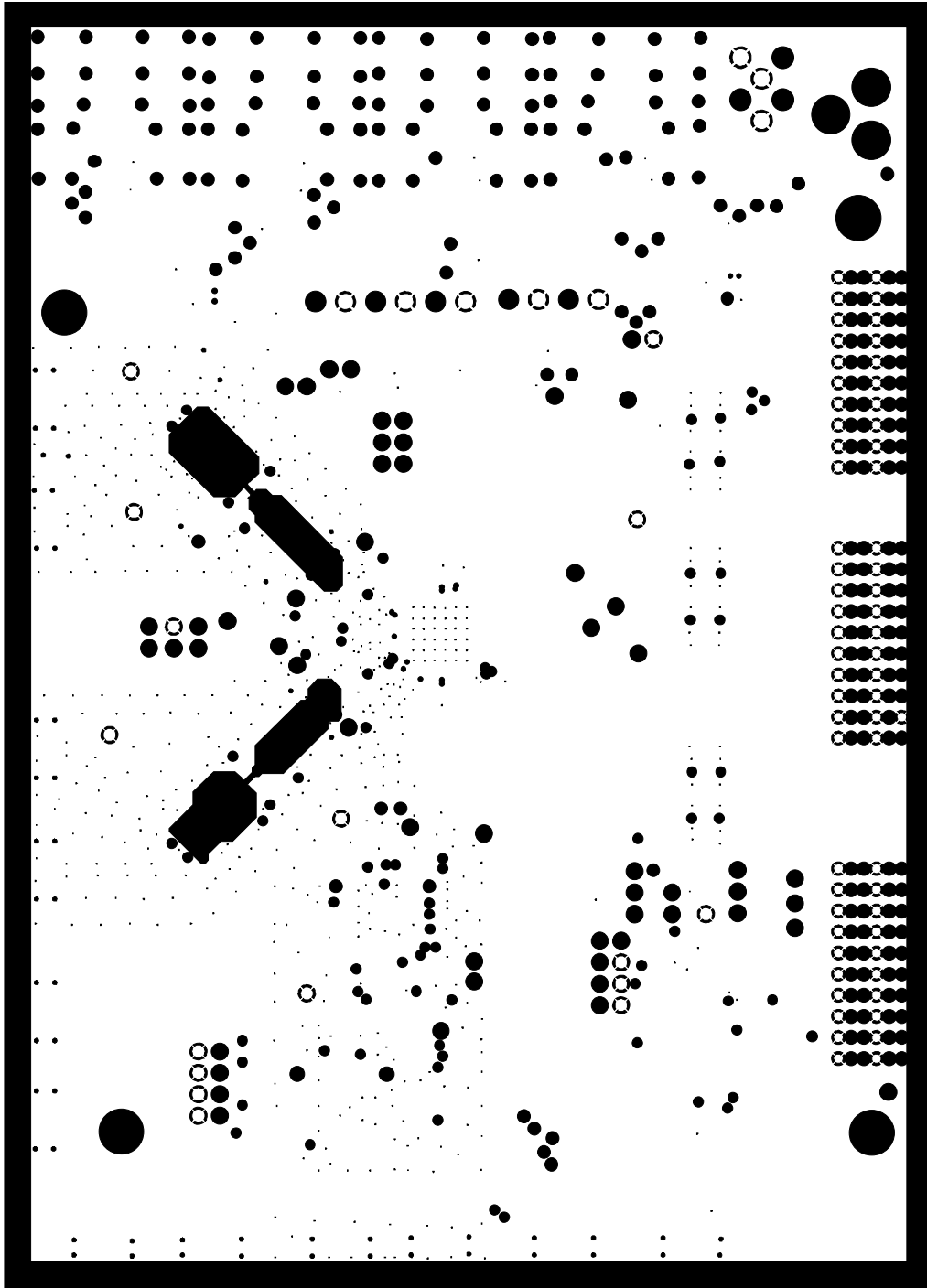


Figure 86. Evaluation Board Layout, Power Plane

07054-086



07064-087

Figure 87. Evaluation Board Layout, Ground Plane

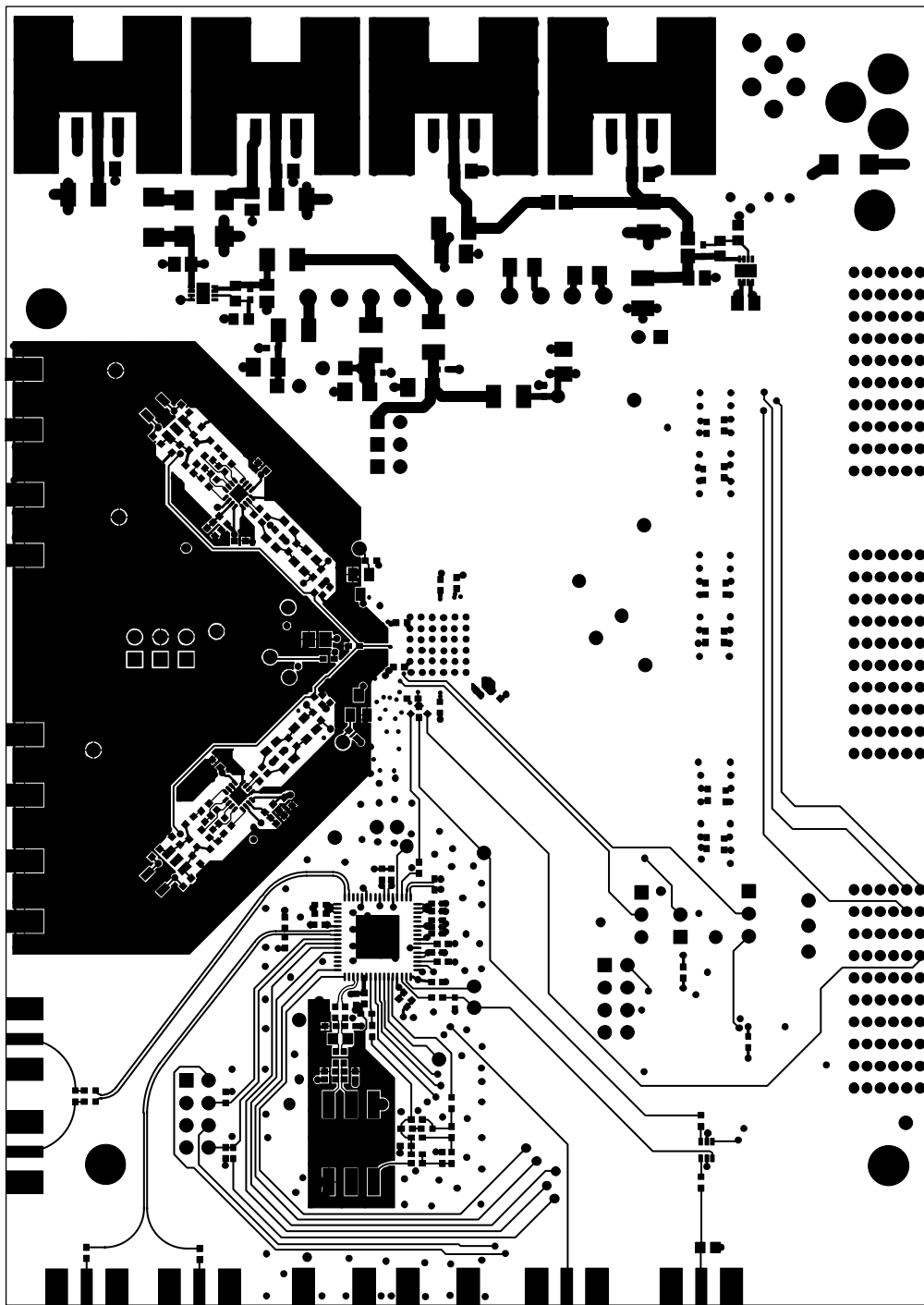


Figure 88. Evaluation Board Layout, Secondary Side (Mirrored Image)

07054-088

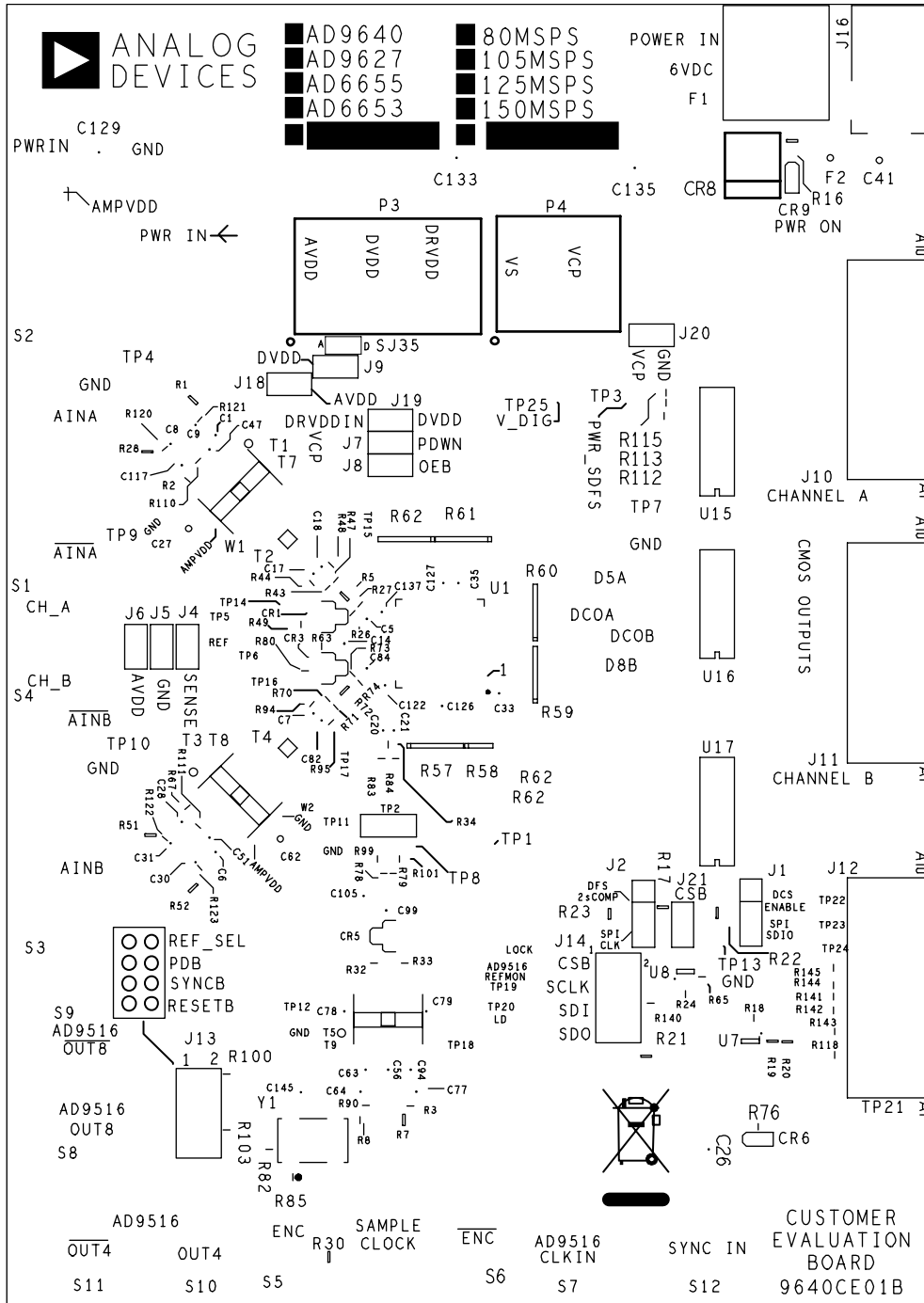


Figure 89. Evaluation Board Layout, Silkscreen, Primary Side

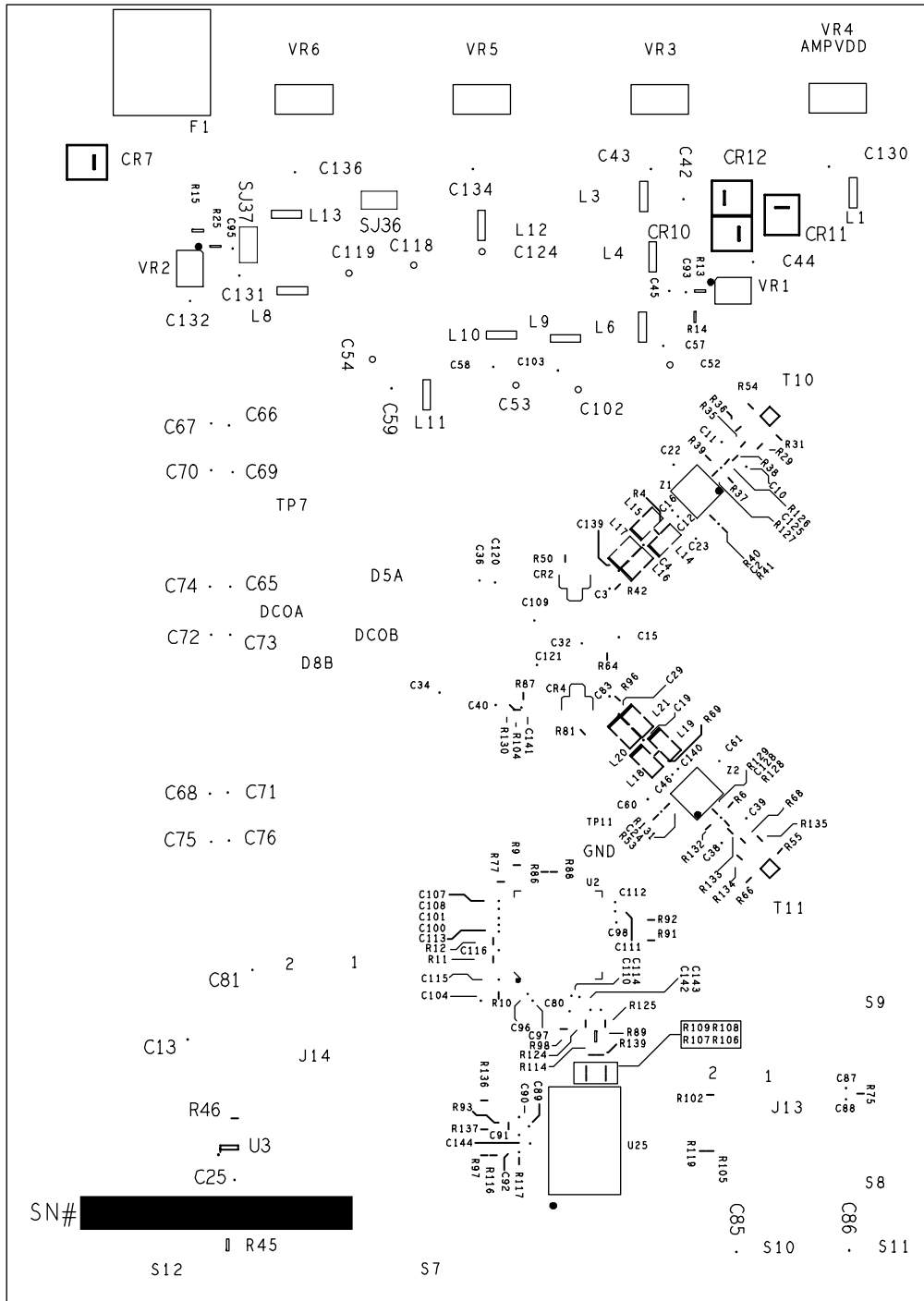


Figure 90. Evaluation Board Layout, Silkscreen, Secondary Side

08049627-0

AD9627-11

BILL OF MATERIALS

Table 23. Evaluation Board Bill of Materials (BOM)^{1,2}

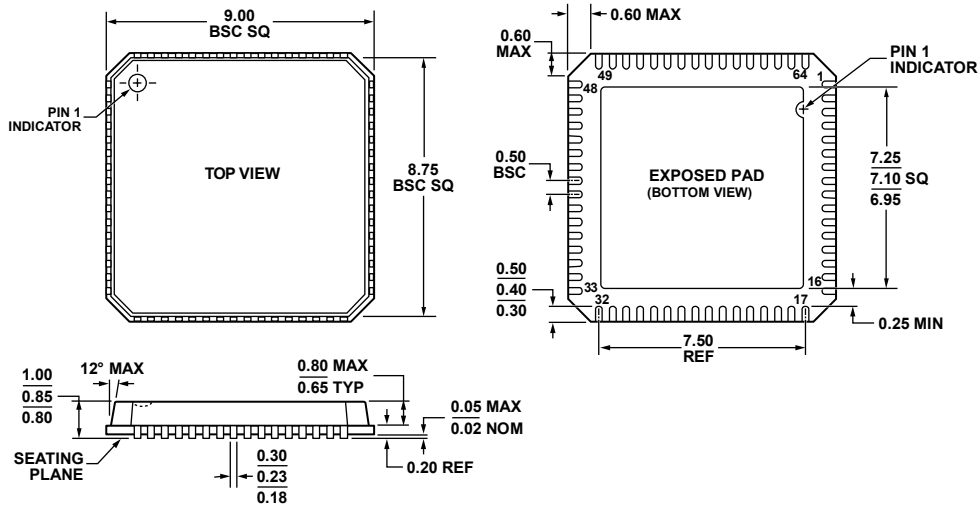
| Item | Qty | Reference Designator | Description | Package | Manufacturer | Mfg. Part Number |
|------|-----|--|---|-----------------|-----------------------------|---------------------|
| 1 | 1 | AD9627-11CE_REVB | PCB | PCB | Analog Devices | |
| 2 | 55 | C1 to C3, C6, C7, C13, C14, C17, C18, C20 to C26, C32, C57 to C61, C65 to C76, C81 to C83, C96 to C101, C103, C105, C107, C108, C110 to C116, C145 | 0.1 μ F, 16 V ceramic capacitor, SMT 0402 | C0402SM | Murata | GRM155R71C104KA88D |
| 3 | 1 | C80 | 18 pF, COG, 50 V, 5% ceramic capacitor, SMT 0402 | C0402SM | Murata | GJM1555C1H180JB01J |
| 4 | 2 | C5, C84 | 4.7 pF, COG, 50 V, 5% ceramic capacitor, SMT 0402 | C0402SM | Murata | GJM1555C1H4R7CB01J |
| 5 | 10 | C33, C35, C63, C93 to C95, C122, C126, C127, C137 | 0.001 μ F, X7R, 25 V, 10% ceramic capacitor, SMT 0402 | C0402SM | Murata | GRM155R71H102KA01D |
| 6 | 13 | C15, C42 to C45, C129 to C136 | 1 μ F, X5R, 25 V, 10% ceramic capacitor, SMT 0805 | C0805 | Murata | GR4M219R61A105KC01D |
| 7 | 10 | C27, C41, C52 to C54, C62, C102, C118, C119, C124 | 10 μ F, X5R, 10 V, 10% ceramic capacitor, SMT 1206 | C1206 | Murata | GRM31CR61C106KC31L |
| 8 | 1 | CR5 | Schottky diode HSMS2822, SOT23 | SOT23 | Avago Technologies | HSMS-2822-BLKG |
| 9 | 2 | CR6, CR9 | LED RED, SMT, 0603, SS-type | LED0603 | Panasonic | LNJ208R8ARA |
| 10 | 4 | CR7, CR10 to CR12 | 50 V, 2 A diode | DO_214AA | Micro Commercial Components | S2A-TP |
| 11 | 1 | CR8 | 30 V, 3 A diode | DO_214AB | Micro Commercial Components | SK33-TP |
| 12 | 1 | F1 | EMI filter | FLTHMURATABNX01 | Murata | BNX016-01 |
| 13 | 1 | F2 | 6.0 V, 3.0 A, trip current resettable fuse | L1206 | Tyco Raychem | NANOSMDC150F-2 |
| 14 | 2 | J1, J2 | 3-pin, male, single row, straight header | HDR3 | Samtec | TWS-1003-08-G-S |
| 15 | 9 | J4 to J9, J18, J19, J21 | 2-pin, male, straight header | HDR2 | Samtec | TWS-102-08-G-S |
| 16 | 3 | J10 to J12 | Interface connector | TYCO_HM_ZD | Tyco | 6469169-1 |
| 17 | 1 | J14 | 8-pin, male, double row, straight header | CNBERG2X4H350LD | Samtec | TSW-104-08-T-D |
| 18 | 1 | J16 | DC power jack connector | PWR_JACK1 | Cui Stack | PJ-002A |
| 19 | 10 | L1, L3, L4, L6, L8 to L13 | 10 μ H, 2 A bead core, 1210 | 1210 | Panasonic | EXC-CL3225U1 |
| 20 | 1 | P3 | 6-terminal connector | PTMICRO6 | Weiland Electric, Inc. | Z5.531.3625.0 |
| 21 | 1 | P4 | 4-terminal connector | PTMICRO4 | Weiland Electric, Inc. | Z5.531.3425.0 |
| 22 | 3 | R7, R30, R45 | 57.6 Ω , 0603, 1/10 W, 1% resistor | R0603 | NIC Components | NRC06F57R6TRF |
| 23 | 27 | R2, R3, R4, R32, R33, R42, R64, R67, R69, R90, R96, R99, R101, R104, R110 to R113, R115, R119, R121, R123, R141 to R145 | 0 Ω , 1/16 W, 5% resistor | R0402SM | NIC Components | NRC04ZOTRF |
| 24 | 2 | R13, R25 | 140 k Ω , 0603, 1/10 W, 1% resistor | R0603 | NIC Components | NRC06F1403TRF |
| 25 | 2 | R14, R15 | 78.7 k Ω , 0603, 1/10 W, 1% resistor | R0603 | NIC Components | NRC06F7872TRF |

| Item | Qty | Reference Designator | Description | Package | Manufacturer | Mfg. Part Number |
|------|-----|---|--|-----------------|-------------------------|--------------------|
| 26 | 1 | R16 | 261 Ω , 0603, 1/10 W, 1% resistor | R0603 | NIC Components | NRC06F2610TRF |
| 27 | 3 | R17, R22, R23 | 100 k Ω , 0603, 1/10 W, 1% resistor | R0603 | NIC Components | NRC06F1003TRF |
| 28 | 7 | R18, R24, R63, R65, R82, R118, R140 | 10 k Ω , 0402, 1/16 W, 1% resistor | R0402SM | NIC Components | NRC04F1002TRF |
| 29 | 3 | R19, R20, R21 | 1 k Ω , 0603, 1/10 W, 1% resistor | R0603 | NIC Components | NRC06F1001TRF |
| 30 | 9 | R26, R27, R43, R46, R47, R70, R71, R73, R74 | 33 Ω , 0402, 1/16 W, 5% resistor | R0402SM | NIC Components | NRC04J330TRF |
| 31 | 5 | R57, R59 to R62 | 22 Ω , 16-pin, 8-resistor, resistor array | R_742 | CTS Corporation | 742C163220JPTR |
| 32 | 1 | R58 | 22 Ω , 8-pin, 4-resistor, resistor array | RES_ARRAY | CTS Corporation | 742C083220JPTR |
| 33 | 1 | R76 | 200 Ω , 0402, 1/16 W, 1% resistor | R0402SM | NIC Components | NCR04F2000TRF |
| 34 | 4 | S2, S3, S5, S12 | SMA, inline, male, coaxial connector | SMA_EDGE | Emerson Network Power | 142-0701-201 |
| 35 | 1 | SJ35 | 0 Ω , 1/8 W, 1% resistor | SLDR_PAD2MUYLAR | NIC Components | NRC10ZOTRF |
| 36 | 5 | T1 to T5 | Balun | TRAN6B | M/A-COM | MABA-007159-000000 |
| 37 | 1 | U1 | IC, AD9627-11 | LFCSP64-9X9-9E | Analog Devices | AD9627BCPZ11 |
| 38 | 1 | U2 | Clock distribution, PLL IC | LFCSP64-9X9 | Analog Devices | AD9516-4BCPZ |
| 39 | 1 | U3 | Dual inverter IC | SC70_6 | Fairchild Semiconductor | NC7WZ04P6X_NL |
| 40 | 1 | U7 | Dual buffer IC, open-drain circuits | SC70_6 | Fairchild Semiconductor | NC7WZ07P6X_NL |
| 41 | 1 | U8 | UHS dual buffer IC | SC70_6 | Fairchild Semiconductor | NC7WZ16P6X_NL |
| 42 | 3 | U15 to U17 | 16-bit CMOS buffer IC | TSOP48_8_1MM | Fairchild Semiconductor | 74VCX16244MTDX_NL |
| 43 | 2 | VR1, VR2 | Adjustable regulator | LFCSP8-3X3 | Analog Devices | ADP3334ACPZ |
| 44 | 1 | VR3 | 1.8 V high accuracy regulator | SOT223-HS | Analog Devices | ADP3339AKCZ-1.8 |
| 45 | 1 | VR4 | 5.0 V high accuracy regulator | SOT223-HS | Analog Devices | ADP3339AKCZ-5.0 |
| 46 | 2 | VR5, VR6 | 3.3 V high accuracy regulator | SOT223-HS | Analog Devices | ADP3339AKCZ-3.3 |
| 47 | 1 | Y1 | Oscillator clock, VFAC3 | OSC-CTS-CB3 | Valpey Fisher | VFAC3-BHL |
| 48 | 2 | Z1, Z2 | High speed IC, op amp | LFCSP16-3X3-PAD | Analog Devices | AD8352ACPZ |

¹ This bill of materials is RoHS compliant.

² The bill of materials lists only those items that are normally installed in the default condition. Items that are not installed are not included in the BOM.

OUTLINE DIMENSIONS



COMPLIANT TO JEDEC STANDARDS MO-220-VMM4
 Figure 91. 64-Lead Lead Frame Chip Scale Package [LFCSP_VQ]
 9 mm × 9 mm Body, Very Thin Quad
 (CP-64-3)
 Dimensions shown in millimeters

051007-C

ORDERING GUIDE

| Model | Temperature Range | Package Description | Package Option |
|-------------------------------|-------------------|--|----------------|
| AD9627BCPZ11-150 ¹ | -40°C to +85°C | 64-Lead Lead Frame Chip Scale Package [LFCSP_VQ] | CP-64-3 |
| AD9627BCPZ11-105 ¹ | -40°C to +85°C | 64-Lead Lead Frame Chip Scale Package [LFCSP_VQ] | CP-64-3 |
| AD962711-150EBZ ¹ | | Evaluation Board | |
| AD962711-105EBZ ¹ | | Evaluation Board | |

¹ Z = RoHS Compliant Part.

NOTES

AD9627-11

NOTES